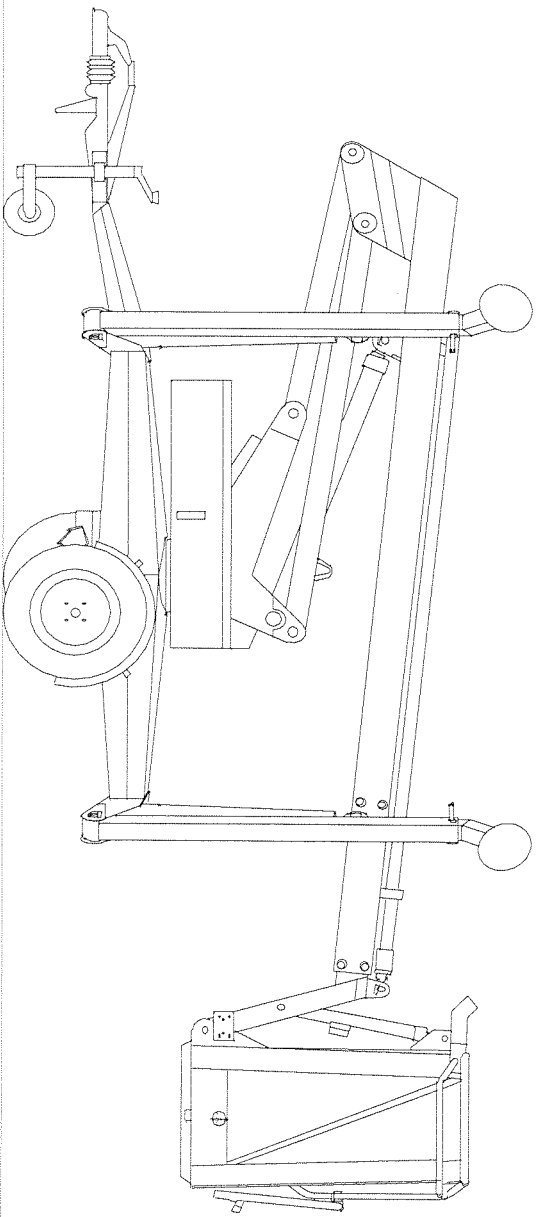


**RESERVEDELS-  
KATALOG**

**SPARE PARTS  
CATALOGUE**

**ERSATZTEILS-  
KATALOG**



**JUNIOR 10/12**

DK8JR10

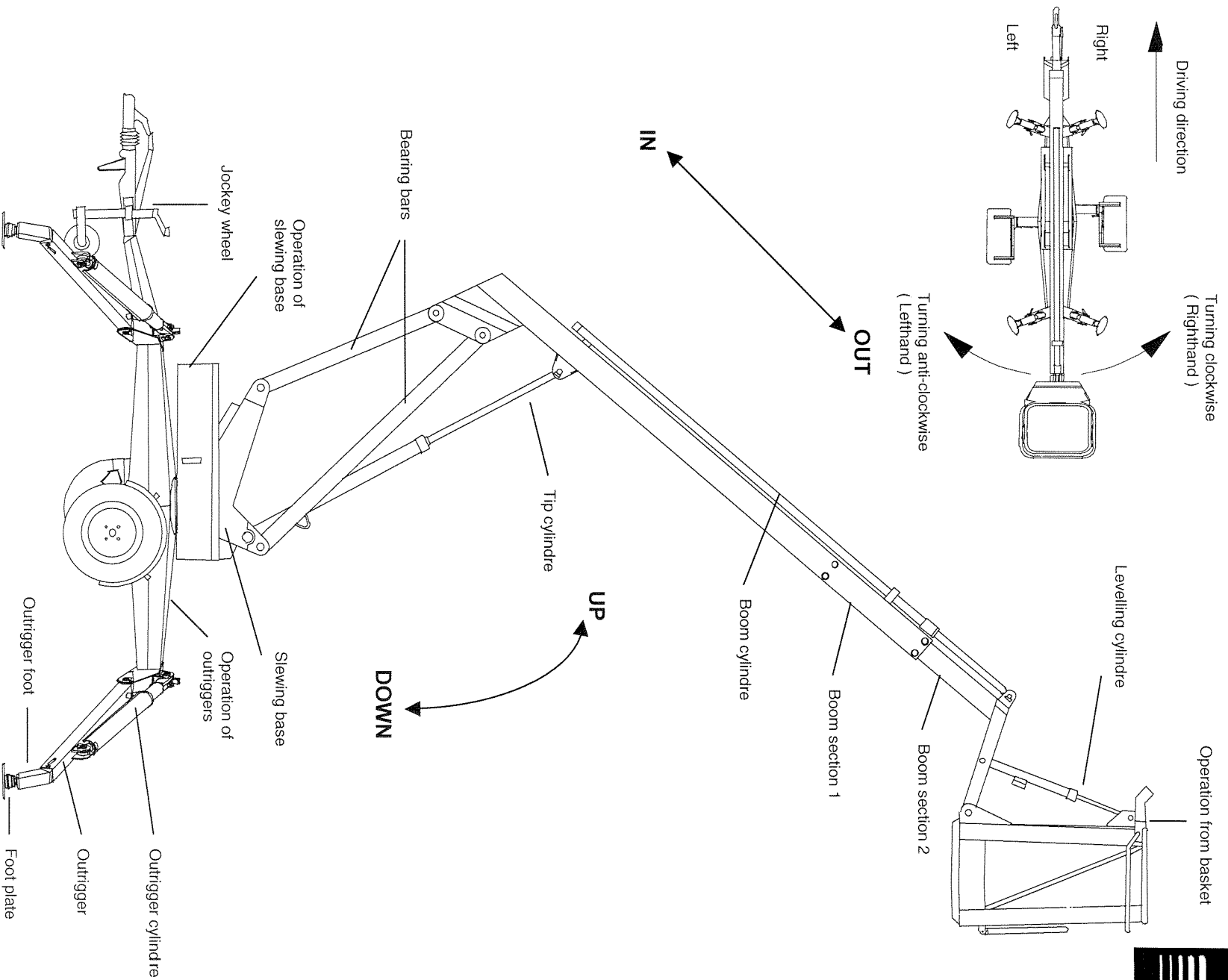
DK8JR12

Version – 07.2004



### Description of the lift – Junior 12

At this page some functions and constructions mentioned in the spare part catalogue are explained. If you need further information, please contact us.

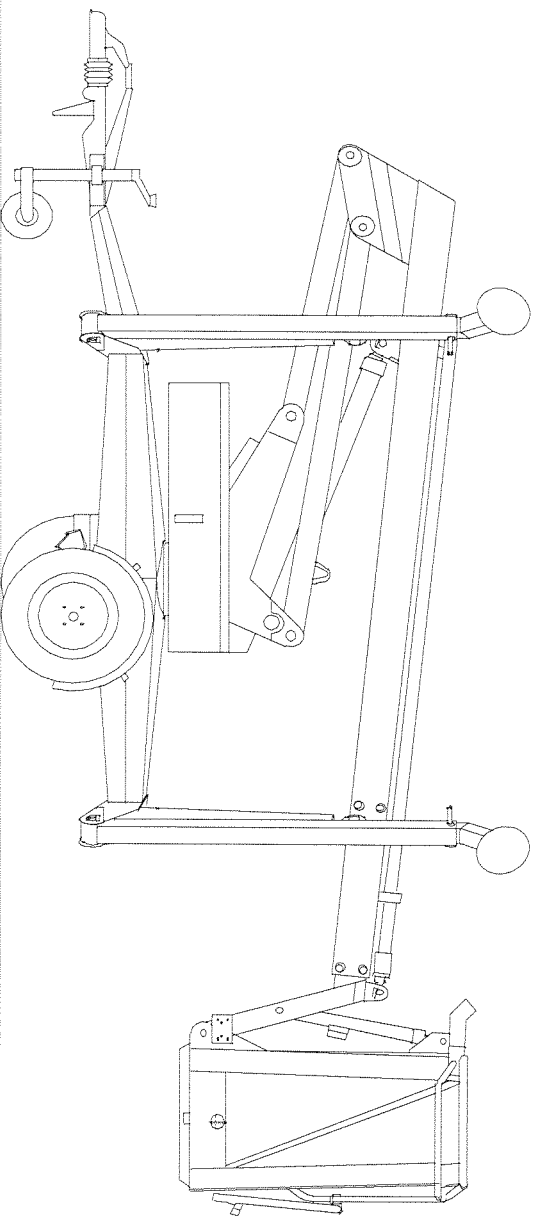




**RESERVEDELS-  
KATALOG**

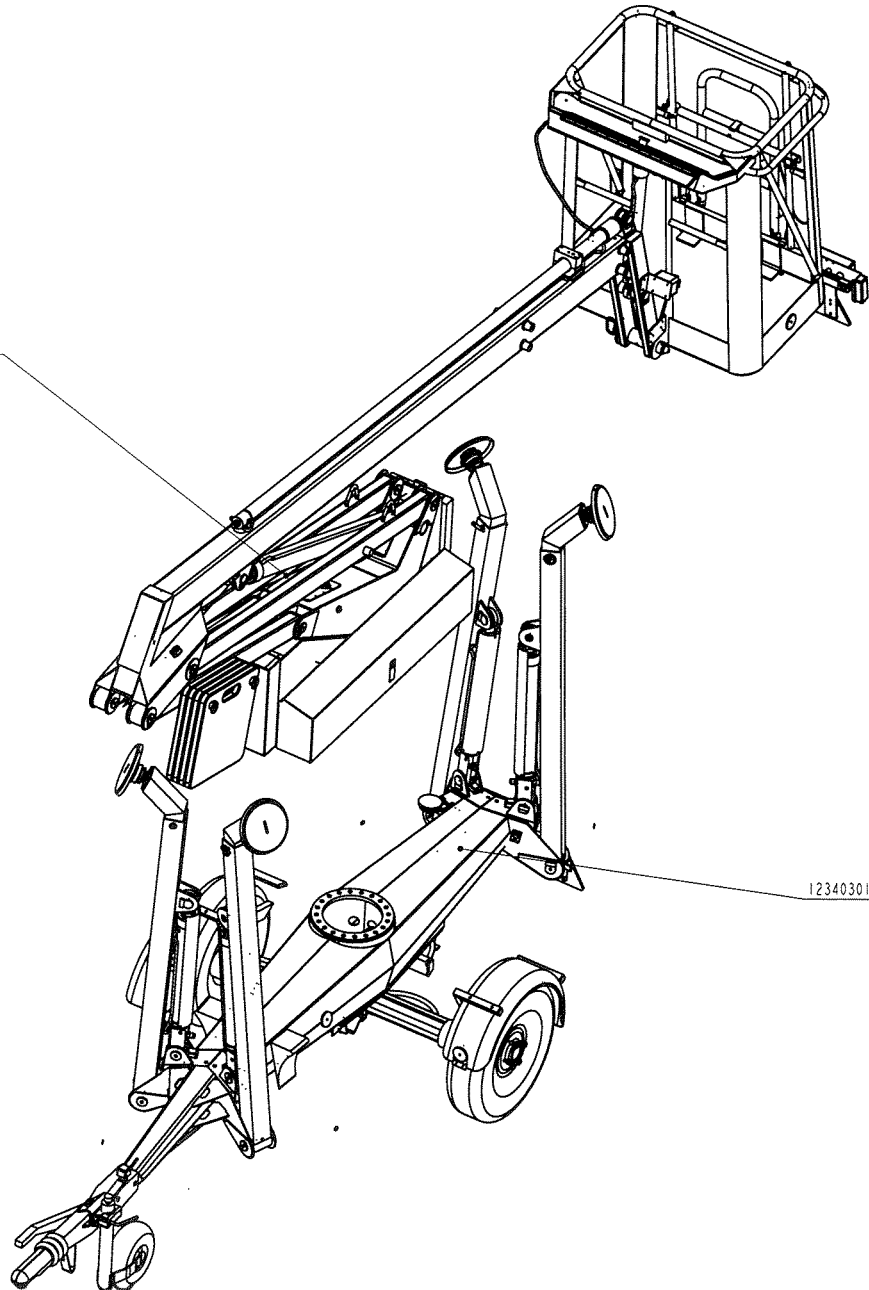
**SPARE PARTS  
CATALOGUE**

**ERSATZTEILS-  
KATALOG**

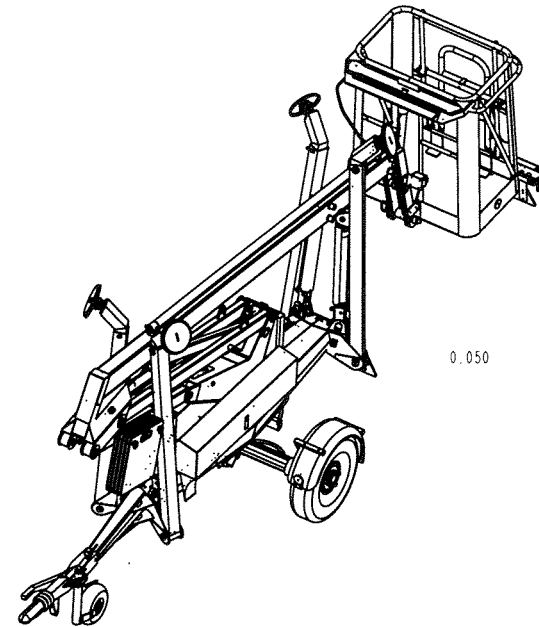


**CHASSIS**


12340401-1

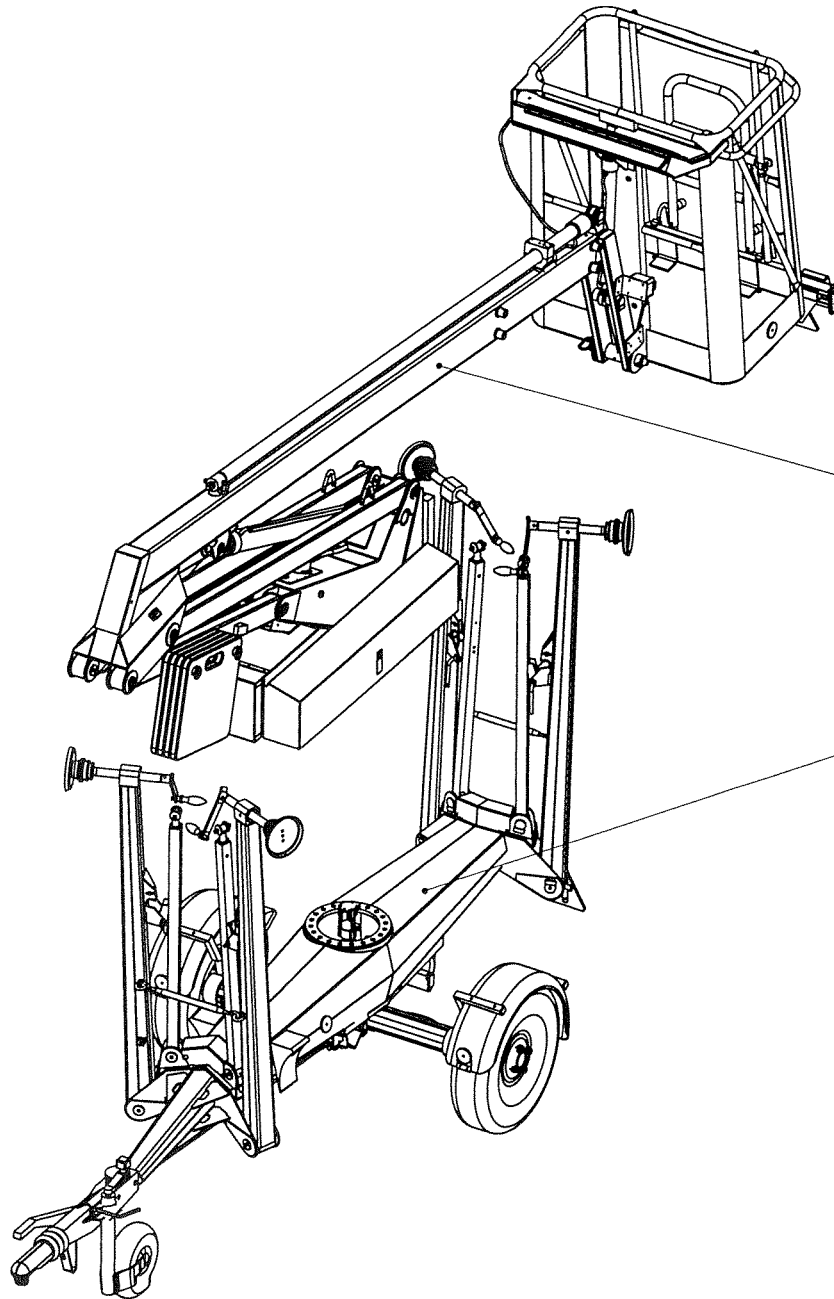


12340301-1



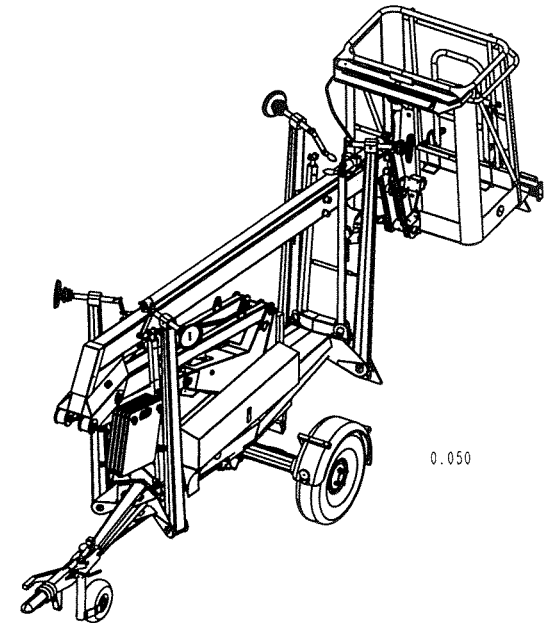
0.050

May not be copied or used without authorization by DENKA LIFT A/S	Tolerances if not otherwise indicated	<b>DENKA-LIFT</b> 	Format	Supersedes drwg. no.
	Weight in kg.	Højvang S, DK-4300 Holbæk - Phone +45 59455500 Fax +45 59442155	0_080	
	7850,000	DK8 JR10	Scale	Supersedes by drwg. no.
	Sheet	DK8 samlet (Hydr. støtteben)	A2	
	1	DK8 monteret (Hydr. outriggers)	Approved by	
Total sheets	DK8 montiert (Hydr. Stützbeine)	Drawn by	HO 11-Apr-00	
2		Drawing no.	12340101	



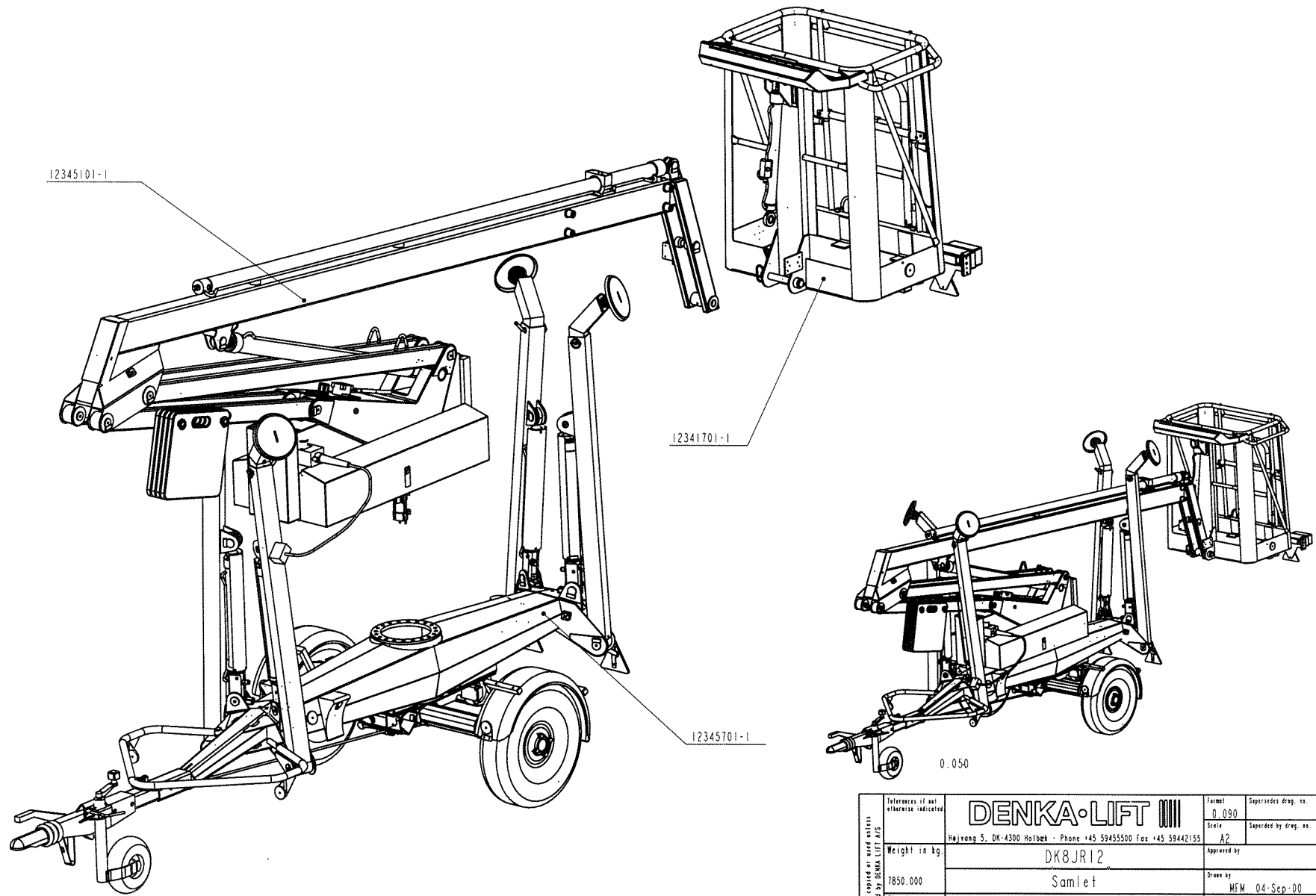
12342601-1

12342501-1



0.050

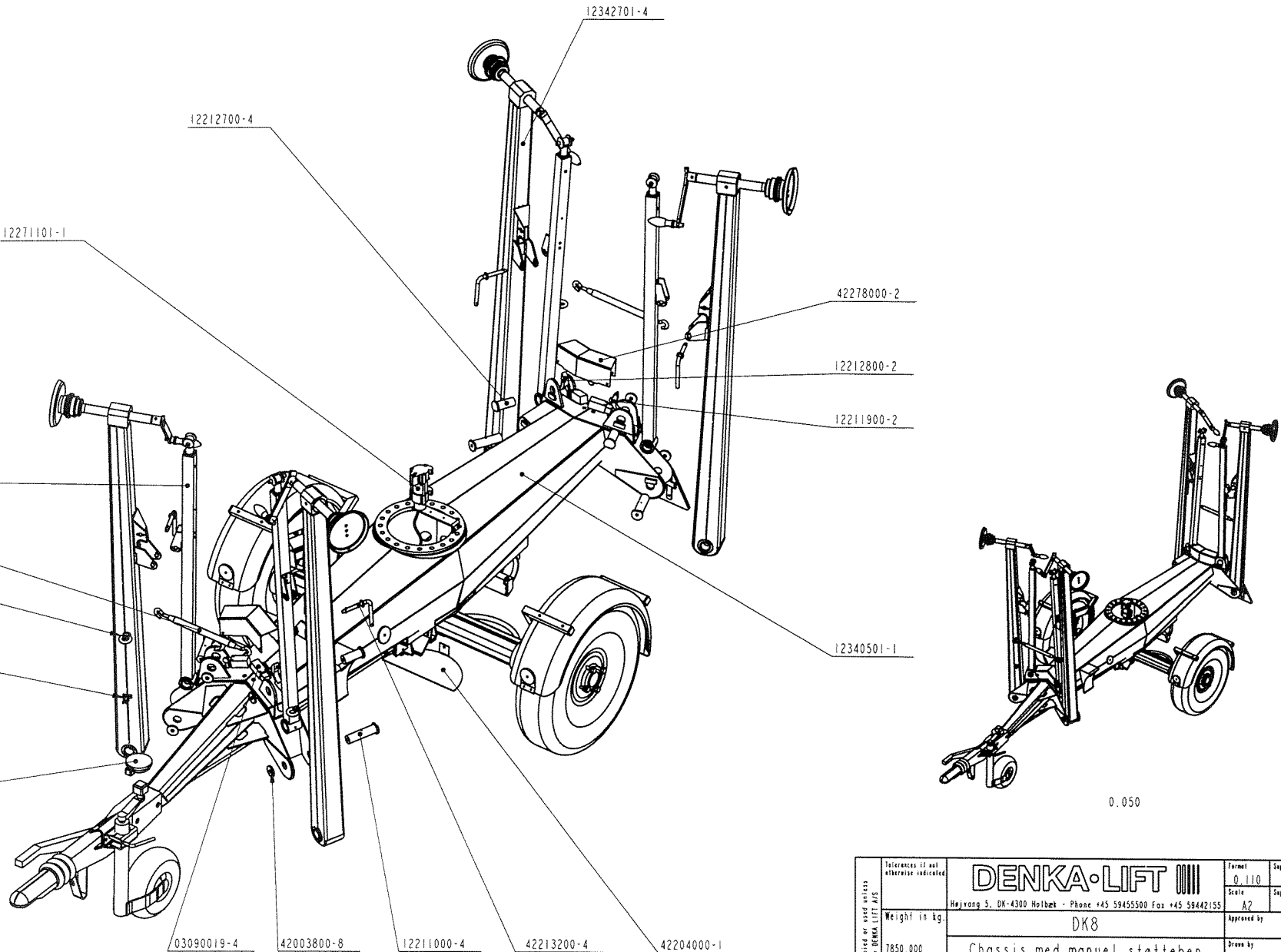
May not be copied or used unless authorized by DENKA LIFT A/S	Tolerances if not otherwise indicated	<b>DENKA-LIFT</b>	Format	Supersedes drawing no.
		Højvang 5, DK-4300 Holbæk - Phone +45 59455500 Fax +45 59442155	Scale	Supersedes drawing no.
	Weight in kg	DK8	Sheet	Approved by
	7850.000	DK8 samlet (Manuel støtteben)	Drawn by	HØ 10-Apr-00
	Sheet	DK8 monteret (Manual outriggers)	Drawing no.	
Total sheets	DK8 monteret (Manuelle Stützbe.)			12340201



0.050

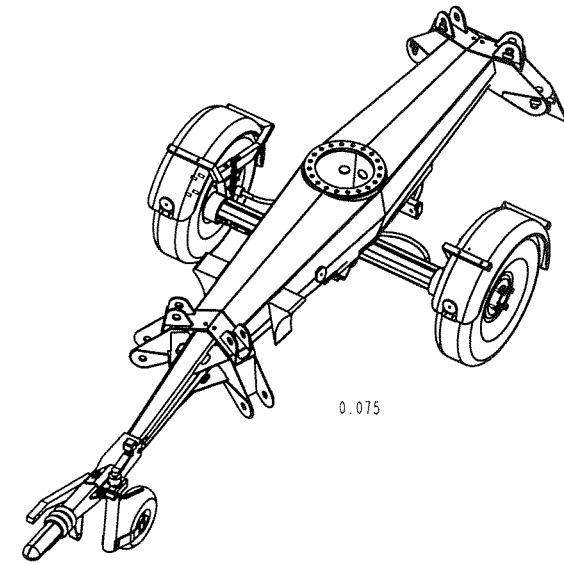
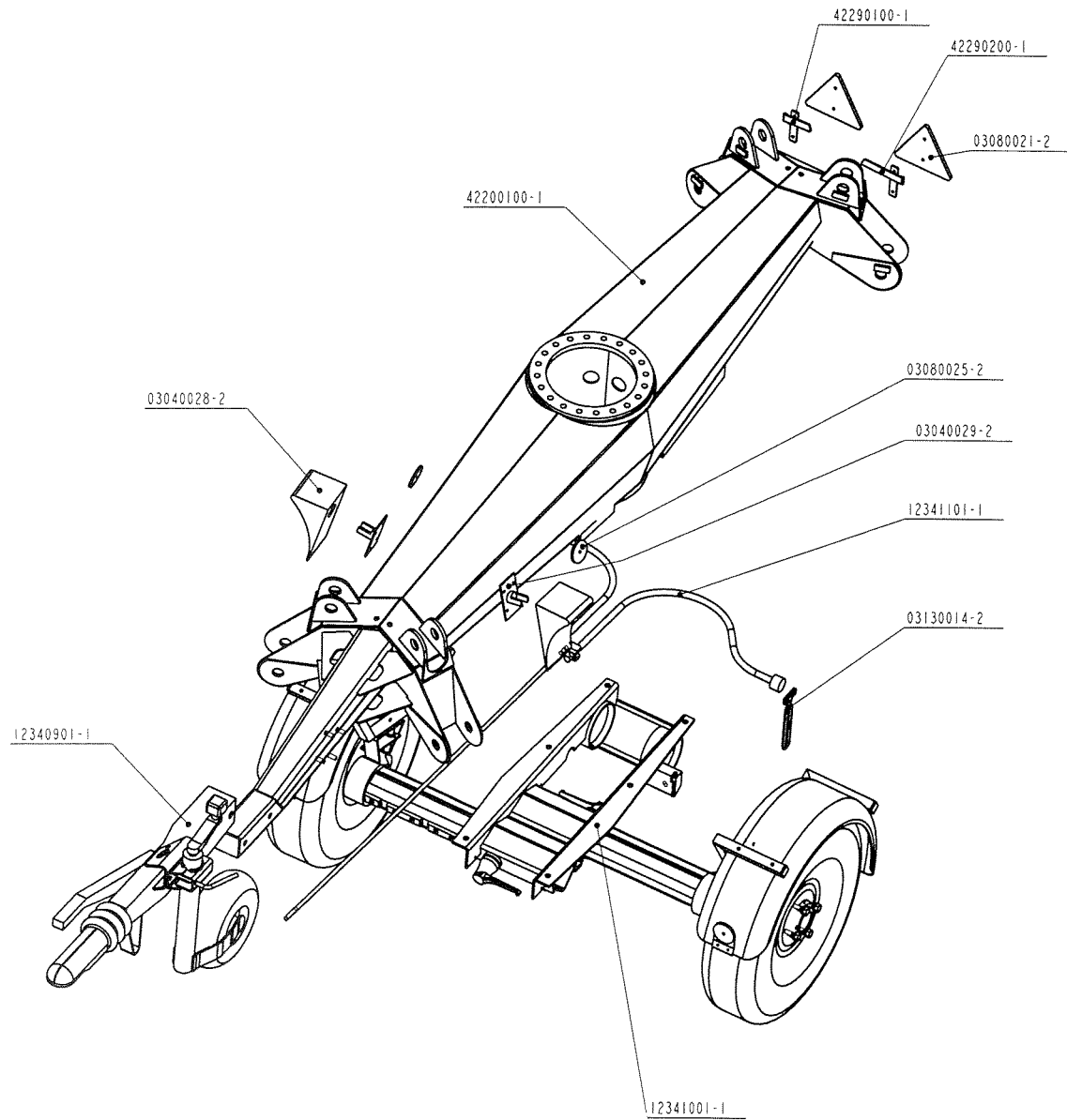
May not be copied or used unless authorized by DENKA LIFT A/S	Tolerances if not otherwise indicated	<b>DENKA-LIFT</b>	Format 0.090	Supersedes drwg. no.
	Weight in kg 7850.000	Højvang 5, DK-4300 Holbæk - Phone +45 59455500 Fax +45 59442155	Scale A2	Supersedes by drwg. no.
	Sheet 1	DK8JR12	Approved by	Drawn by MFM 04-Sep-00
	Total sheets 2	Samlet	Drawing no.	12345001
		Montiert		




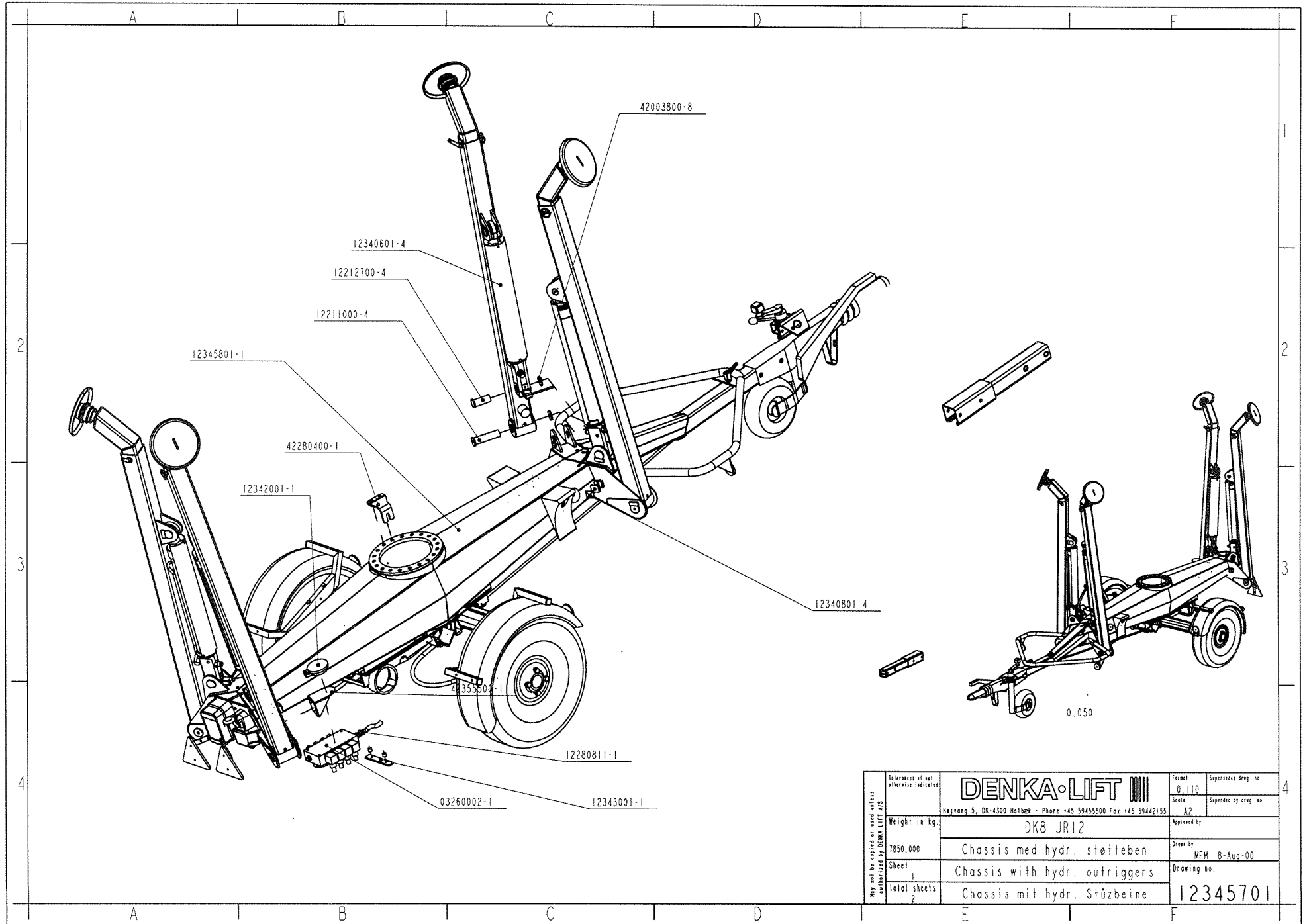


0.050

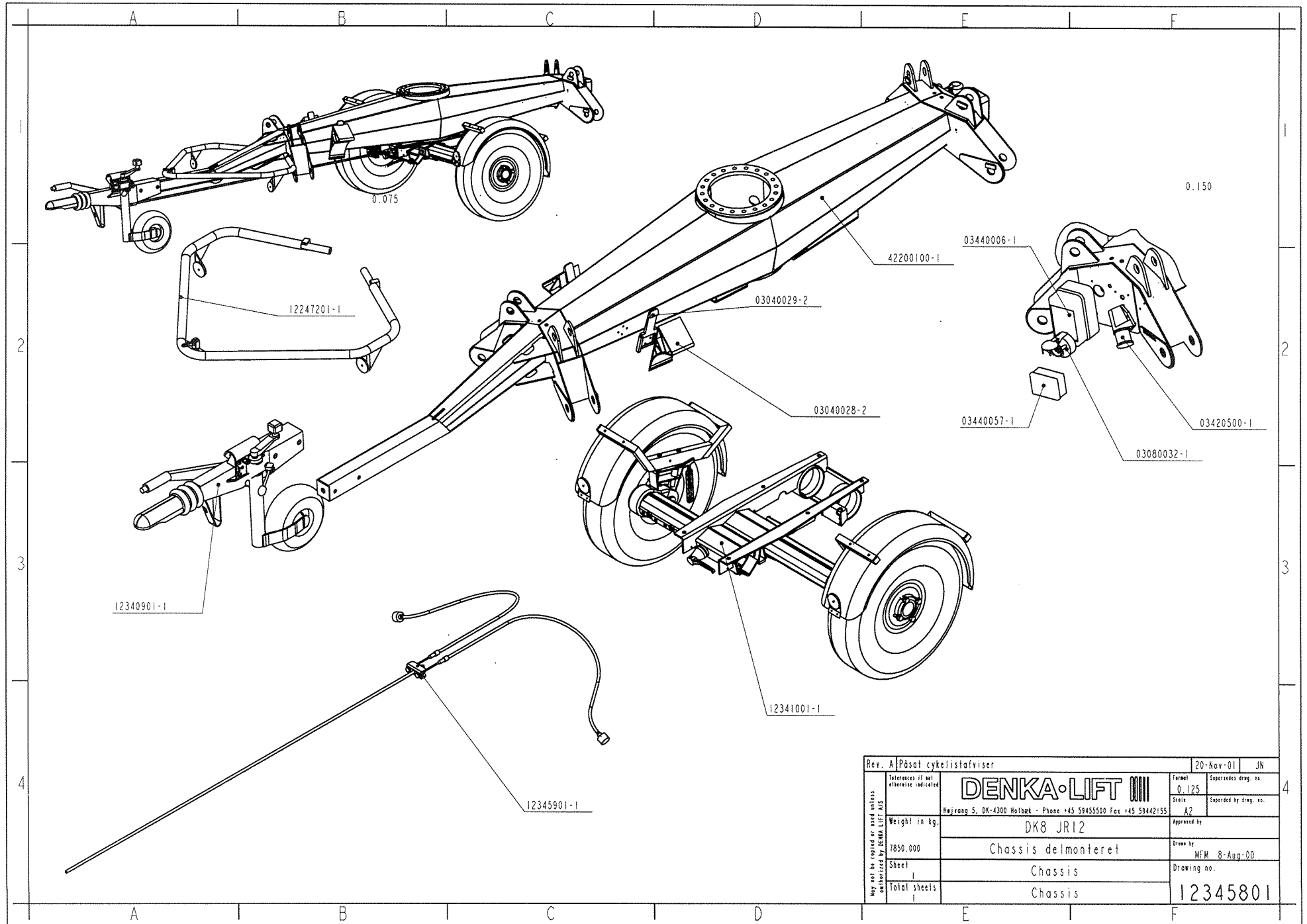
May not be copied or used without authorization by DENKA LIFT A/S	Tolerances if not otherwise indicated	<b>DENKA-LIFT</b>		Formel 0.110	Supersedes drawing no.
	Weight in kg	DK8		Scale A2	Superseded by drawing no.
	7850.000	Chassis med manuel støtteben		Approved by	
	Sheet 1	Chassis with manual outriggers		Drawn by HØ 07-Apr-00	
	Total sheets 1	Chassis mit manuelle Stützbeine		Drawing no. 12342501	




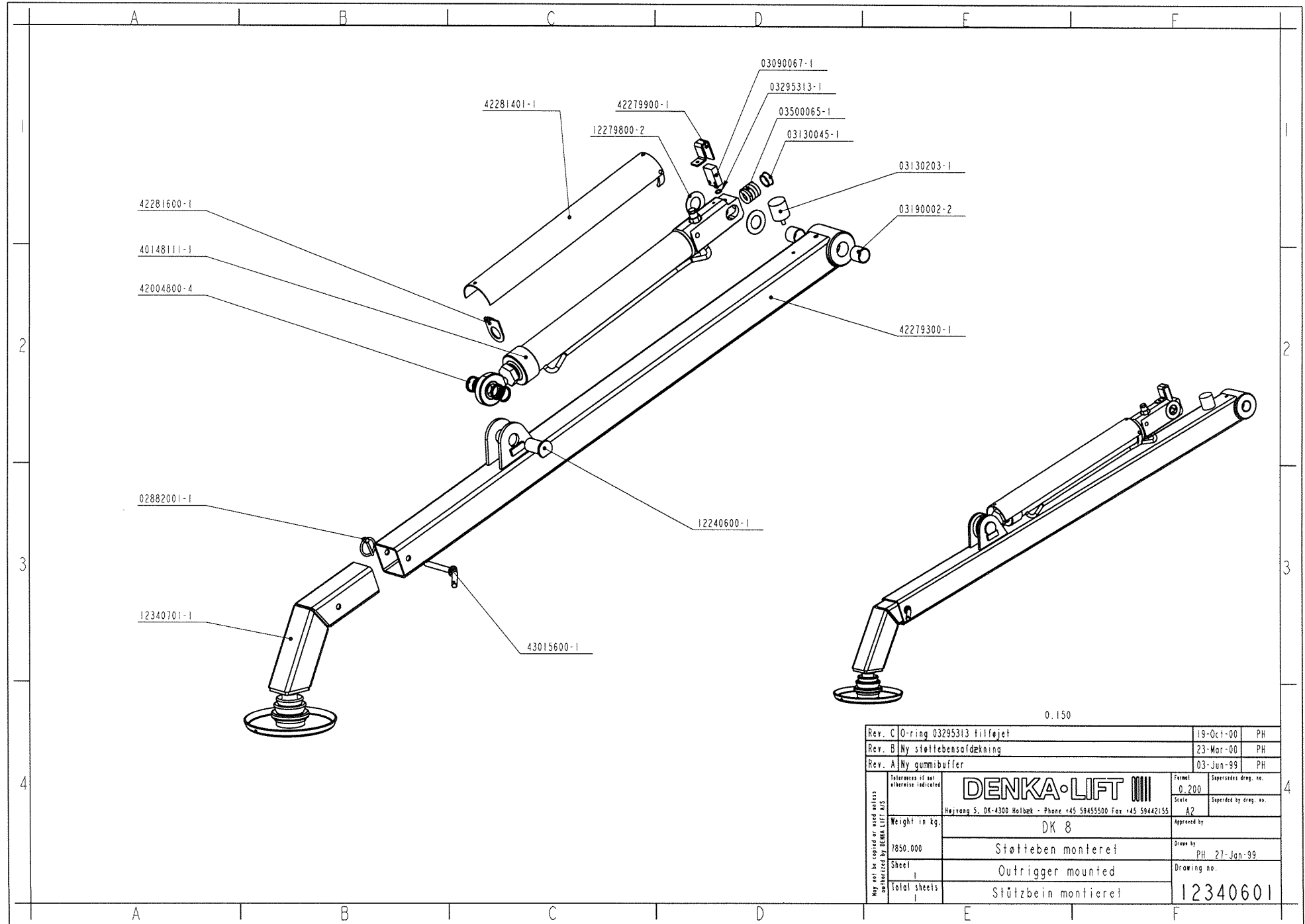
May not be copied or used in any way without the written permission of DENKA LIFT A/S	Tolerances if not otherwise indicated		<b>DENKA-LIFT</b> 		Format	Supersedes drawing no.
	Højvang 5, DK-4300 Holbæk - Phone +45 59455500 Fax +45 59442155		Scale		0.125	Superseded by drawing no.
	Weight in kg.		DK8		A2	Approved by
	7850.000		Chassis		Drawn by	
	Sheet		Chassis		HØ 12-Apr-00	
Total sheets		Chassis		Drawing no.		
						12340501



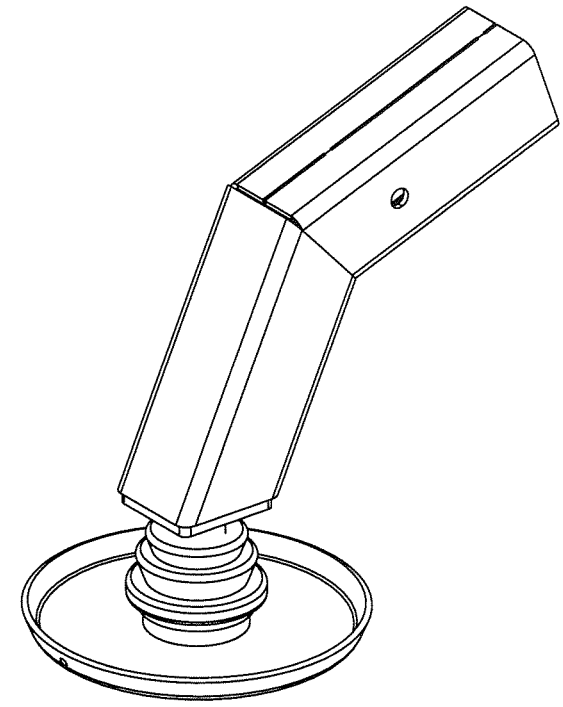
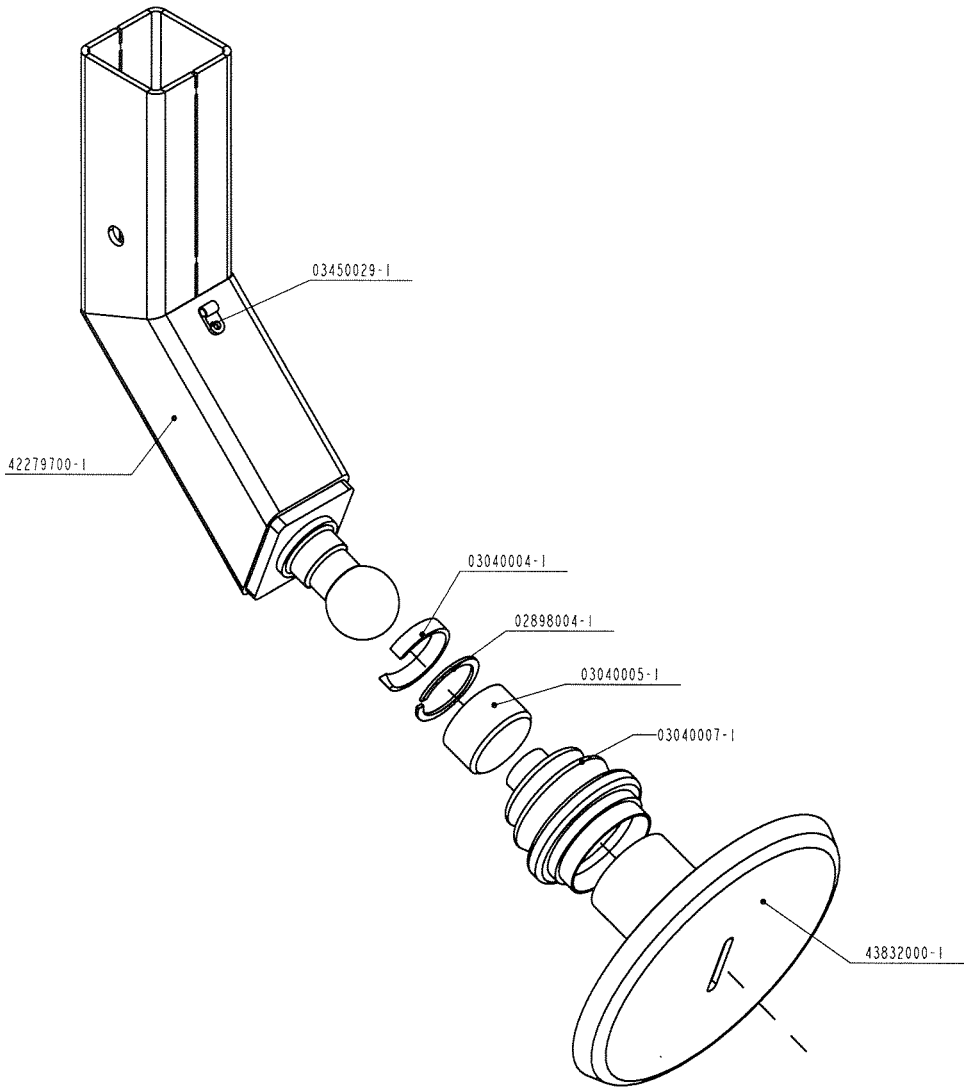
May not be copied or used without authorized by DENKA LIFT A/S	Tolerances of not otherwise indicated	<b>DENKA-LIFT</b>	Format 0.110	Supersedes drawing no.
	Weight in kg. 7850.000		Scale A2	Superseded by drawing no.
	Sheet 1	Heixiang S, DK-4300 Holbæk - Phone +45 59455500 Fax +45 59442155	Approved by DK8 JR12	Drawn by MFM 8-Aug-00
	Total sheets 2	Chassis med hydr. støtteben Chassis with hydr. outriggers	Drawing no. 12345701	
		Chassis mit hydr. Stützbeine		



Rev. A   Pásat cykelistafviser		20-Nov-01	JN
May not be copied or used without authorization by DENKA LIFT A/S	Tolerances if not otherwise indicated	<b>DENKA-LIFT</b>  Højvang 5, DK-4300 Holbæk - Phone +45 59455500 Fax +45 59442155	
	Weight in kg.		
	7850.000	Chassis delmonteret	
	Sheet	Chassis	
	Total sheets	Chassis	
Format	0.125	Supersedes drug. no.	
Scale	A2	Supersedes by drug. no.	
Approved by		Drawn by	MFM 8-Aug-00
		Drawing no.	12345801

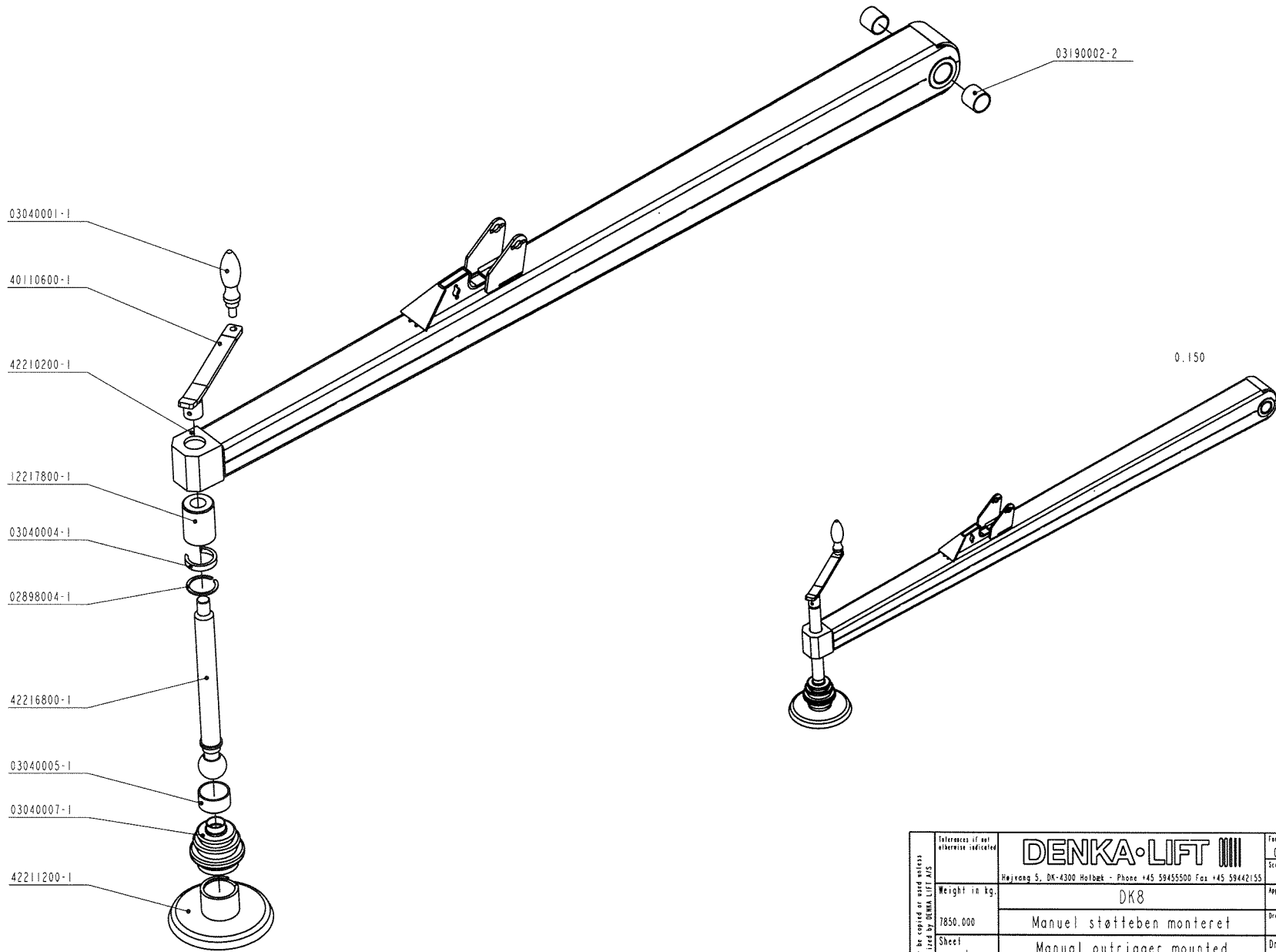


Rev. C	O-ring 03295313 tilføjet	19-Oct-00	PH
Rev. B	Ny støttebensafdækning	23-Mar-00	PH
Rev. A	Ny gummibuffer	03-Jun-99	PH
May not be copied or used without authorization by DENKA LIFT A/S	Tolerances if not otherwise indicated	<b>DENKA-LIFT</b>	Format 0.200
	Weight in kg.	Højrosg S. DK-4300 Holbæk - Phone +45 59455500 Fax +45 59442155	Supersedes drawing no.
	7850.000	Approved by DK 8	Scale A2
	Sheet 1	Støtteben monteret	Drawn by PH 27-Jan-99
	Total sheets 1	Outrigger mounted Stützbein montieret	Drawing no. 12340601

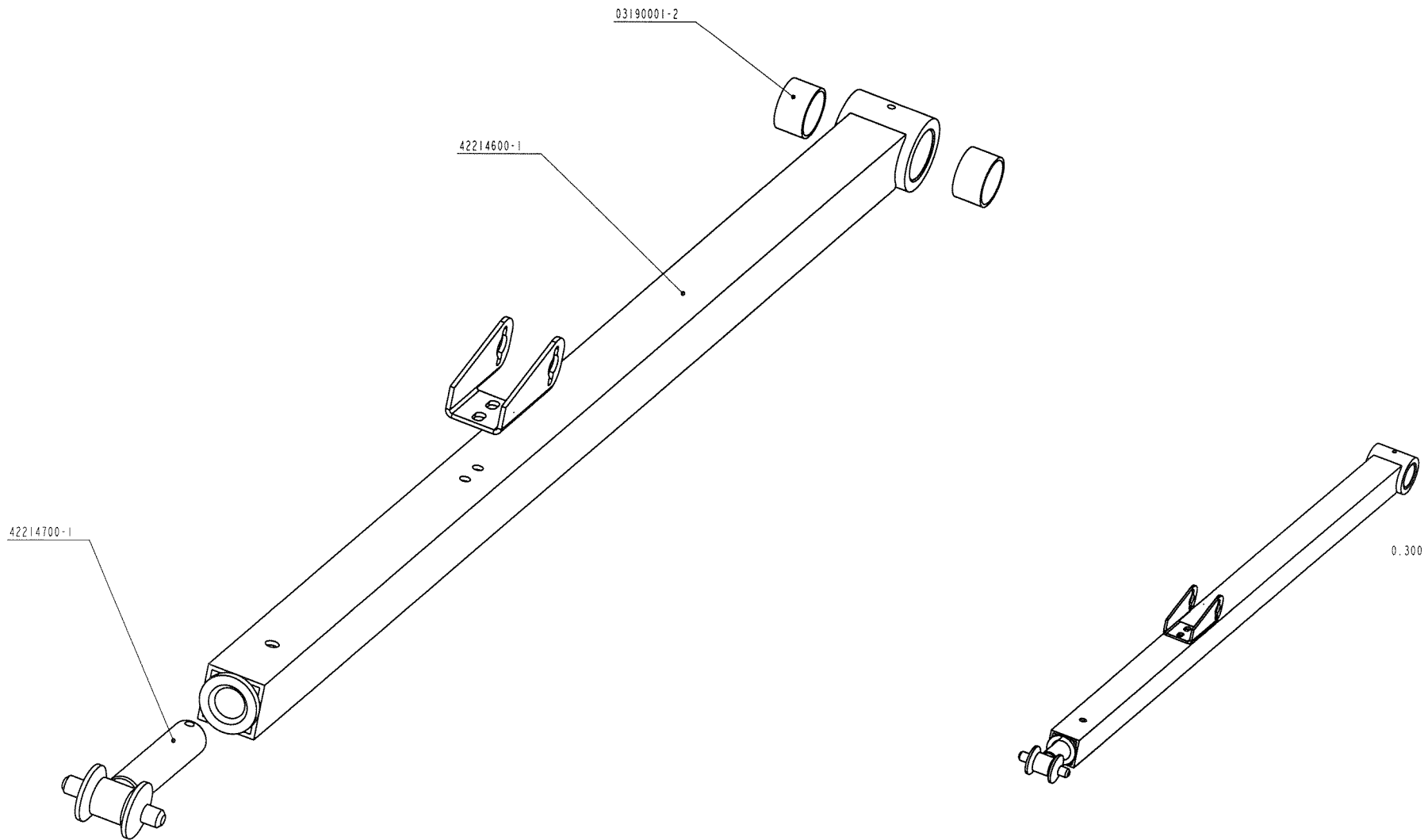



May not be copied or used without authorization by DENKA LIFT A/S	Tolerances if not otherwise indicated	<b>DENKA-LIFT</b>	Format 0.500	Supersedes drawing no.
	Weight in kg. 7850.000	Højvang 5, DK-4300 Holbæk - Phone +45 59455500 Fax +45 59442155	Scale A2	Supersedes by drawing no.
	Sheet 1	Approved by DK 8	Drawn by PH 04-Nov-99	Drawing no.
	Total sheets 1	Footplate monteret på ben Footplate mounted on outrigger Fussplatte monteret an stützbein	Drawing no. 12340701	

7	Løser
6	Kugle
5	Konns
4	Indert
3	Gummi
2	Fodpl.
1	

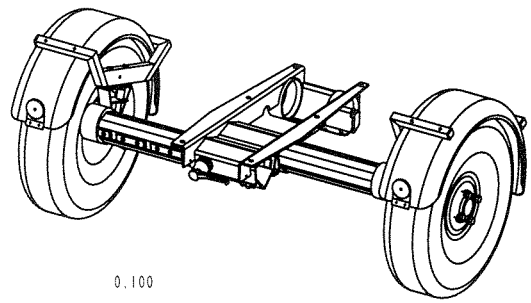
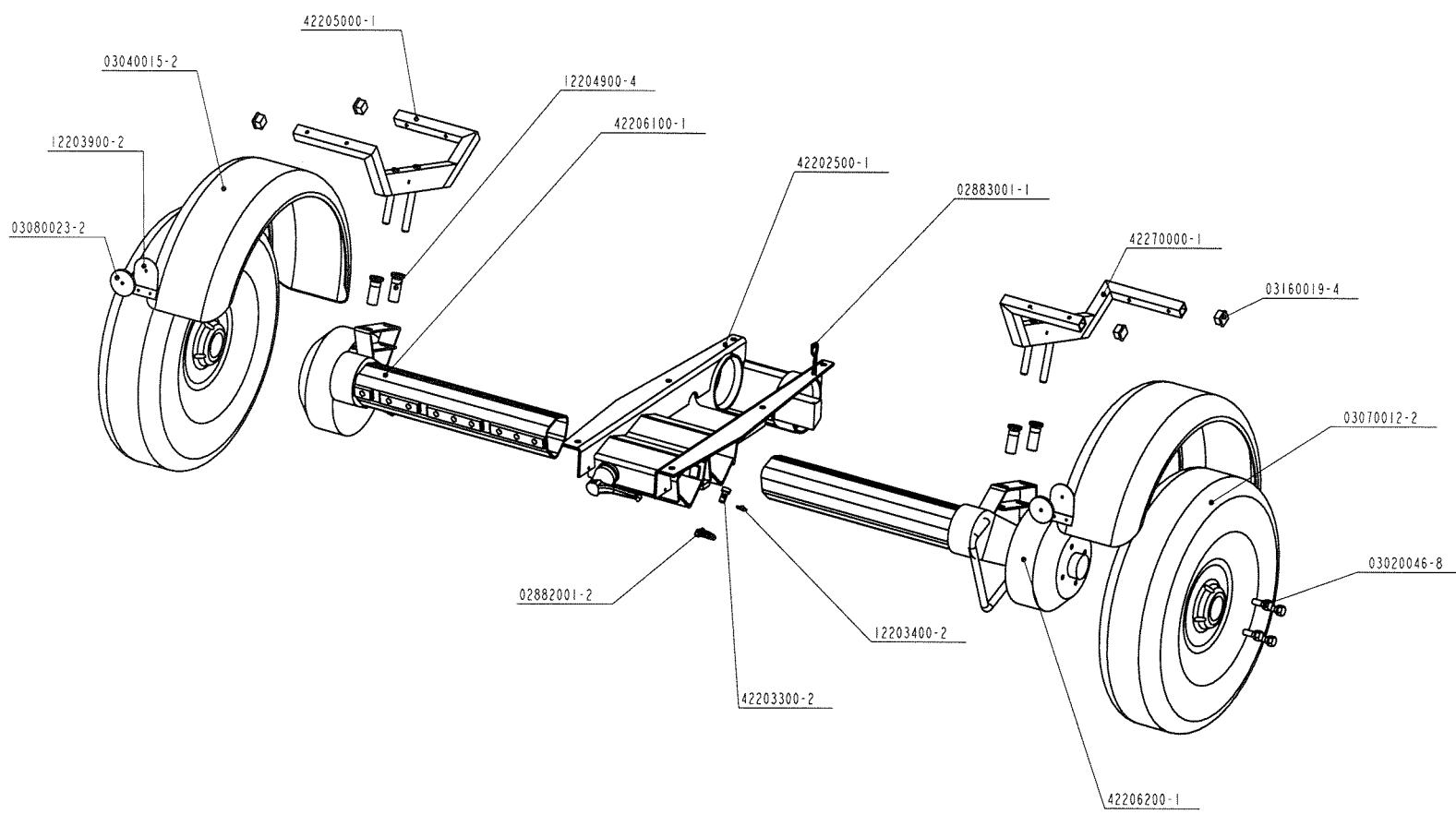


May not be copied or used without authorization by DENKA LIFT A/S	Tolerances if not otherwise indicated	<b>DENKA-LIFT</b> 	Format	Supersedes drawing no.
			0_250	Supersedes by drawing no.
	Weight in kg.	Højvang S, DK-4300 Holbæk - Phone +45 59455500 Fax +45 59442155	Scale	A2
	7850,000	DK8	Approved by	
	Sheet	Manuel støtteben monteret	Drawn by	HØ 27-Mar-00
Total sheets	Manuel outrigger mounted	Drawing no.		
	Manuelle Stützbein monteret		12342701	



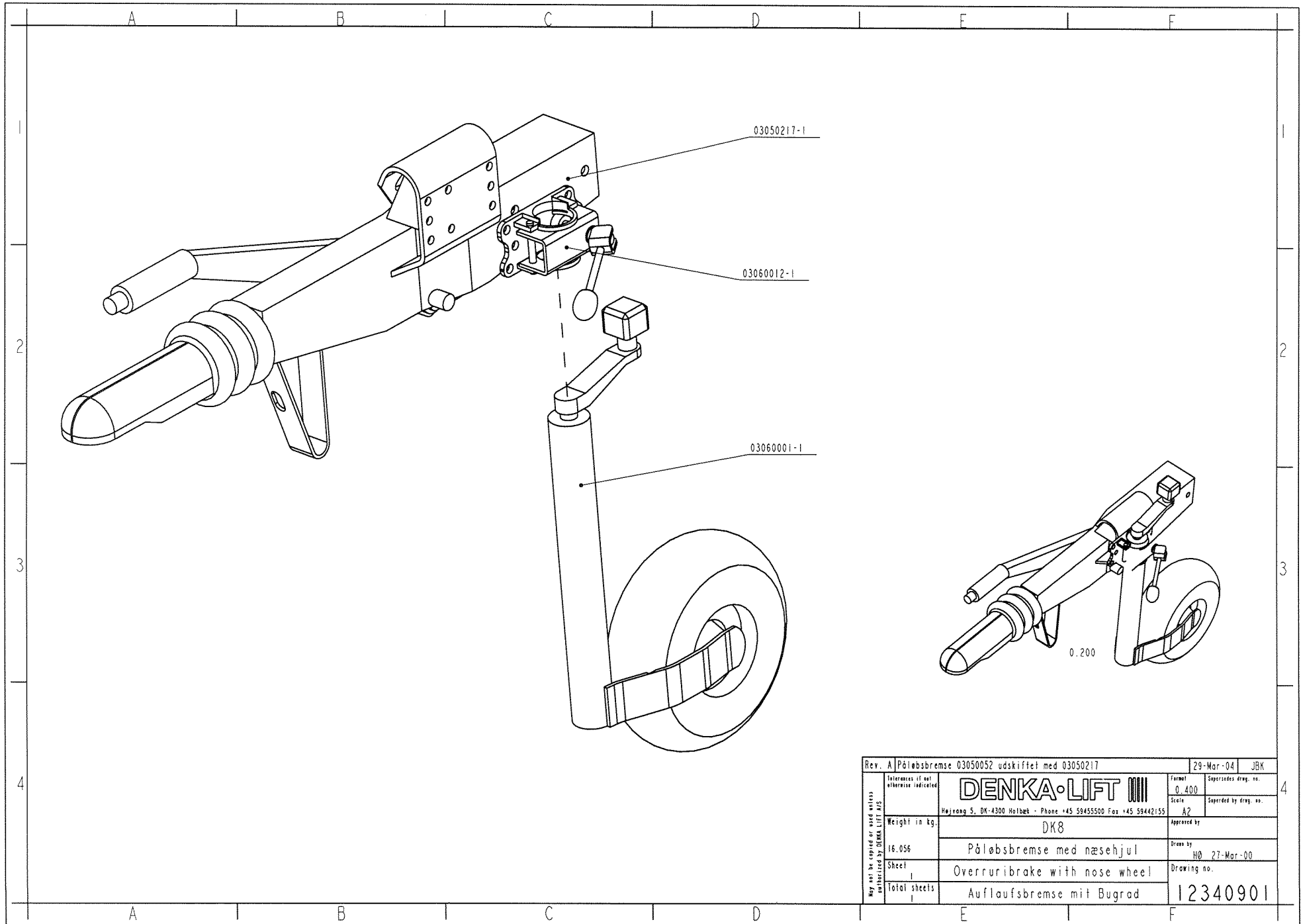
May not be copied or used without authorization by DENKA LIFT A/S	Tolerances if not otherwise indicated	<b>DENKA-LIFT</b> 	Formel	Supersedes drag. no.
			Scale	Supersedes by drag. no.
	Weight in kg.	Højvang S, DK-4300 Holbæk - Phone +45 59455500 Fax +45 59442155	Approved by	
	7850.000	DK8	Drawn by	HO 29-Mar-00
	Sheet	Låsestang samlet	Drawing no.	
Total sheets	1	Schloss-Stange montiert	12342801	





0.100

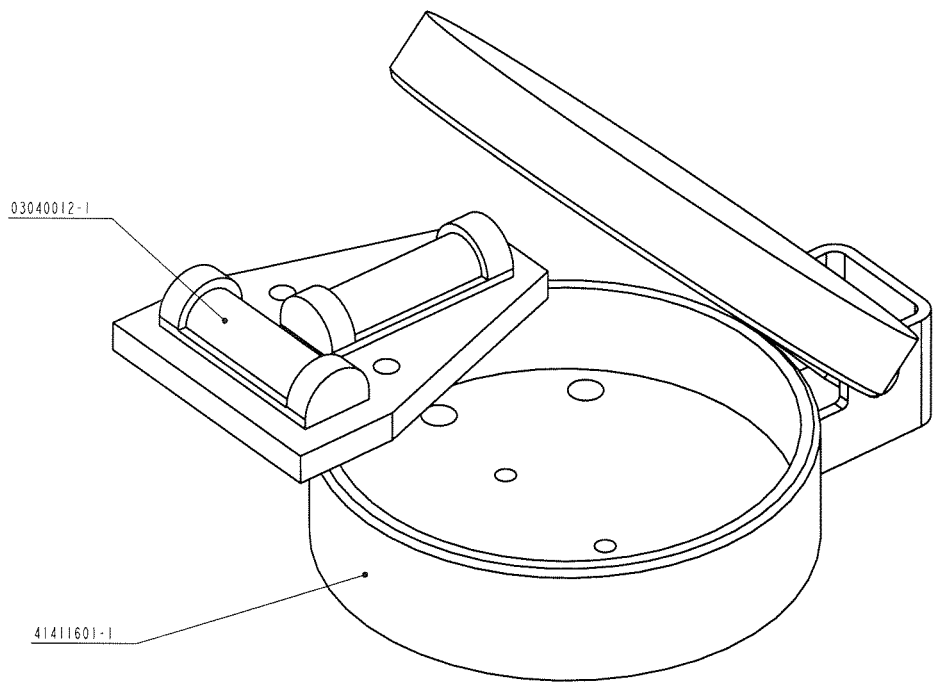
Rev. A Fjernet tyller og påsat 12204900		04-Sep-00	HØ
May not be copied or used without authorization by DENKA LIFT A/S	Tolerances if not otherwise indicated	<b>DENKA-LIFT</b>	
	Weight in kg.	7850.000	DK8
	Sheet	1	Akselkonsol med hjul
	Total sheets	1	Axle bracket with wheel
			Achsekonsole mit Rad
Formel Scale Supersides drag. no. Supersides by drag. no.		D 150 A2	HØ 31-Mar-00
Approved by Drawn by Drawing no.		HØ 12341001	



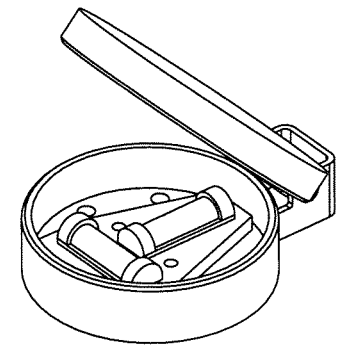
Rev. A   Påløbsbremse 03050052 udskiftet med 03050217		29-Mar-04	JBK
May not be copied or used without authorized by DENKA LIFT A/S	Tolerances of mat otherwise indicated	<b>DENKA-LIFT</b>	
	Weight in kg.	16.056	Format 0_400
	Sheet	1	Scale A2
	Total sheets	1	Superseded by drag. no. Approved by DK8
			Drawn by HO_27-Mar-00
	Påløbsbremse med næsehjul Overruribrake with nose wheel Auflaufsbremse mit Bugrad	Drawing no. <b>12340901</b>	

A | B | C | D | E | F

1  
2  
3  
4

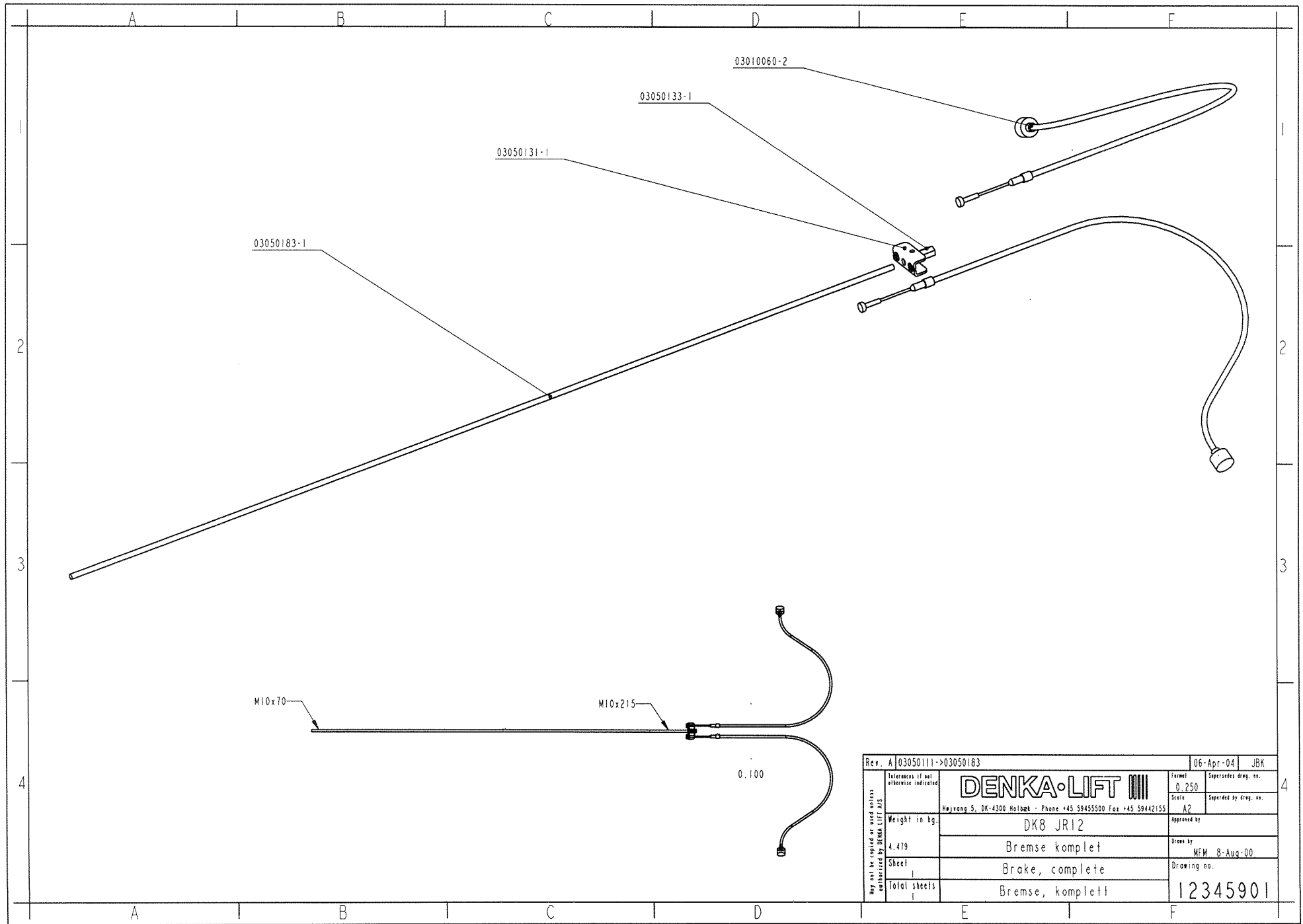


1.000



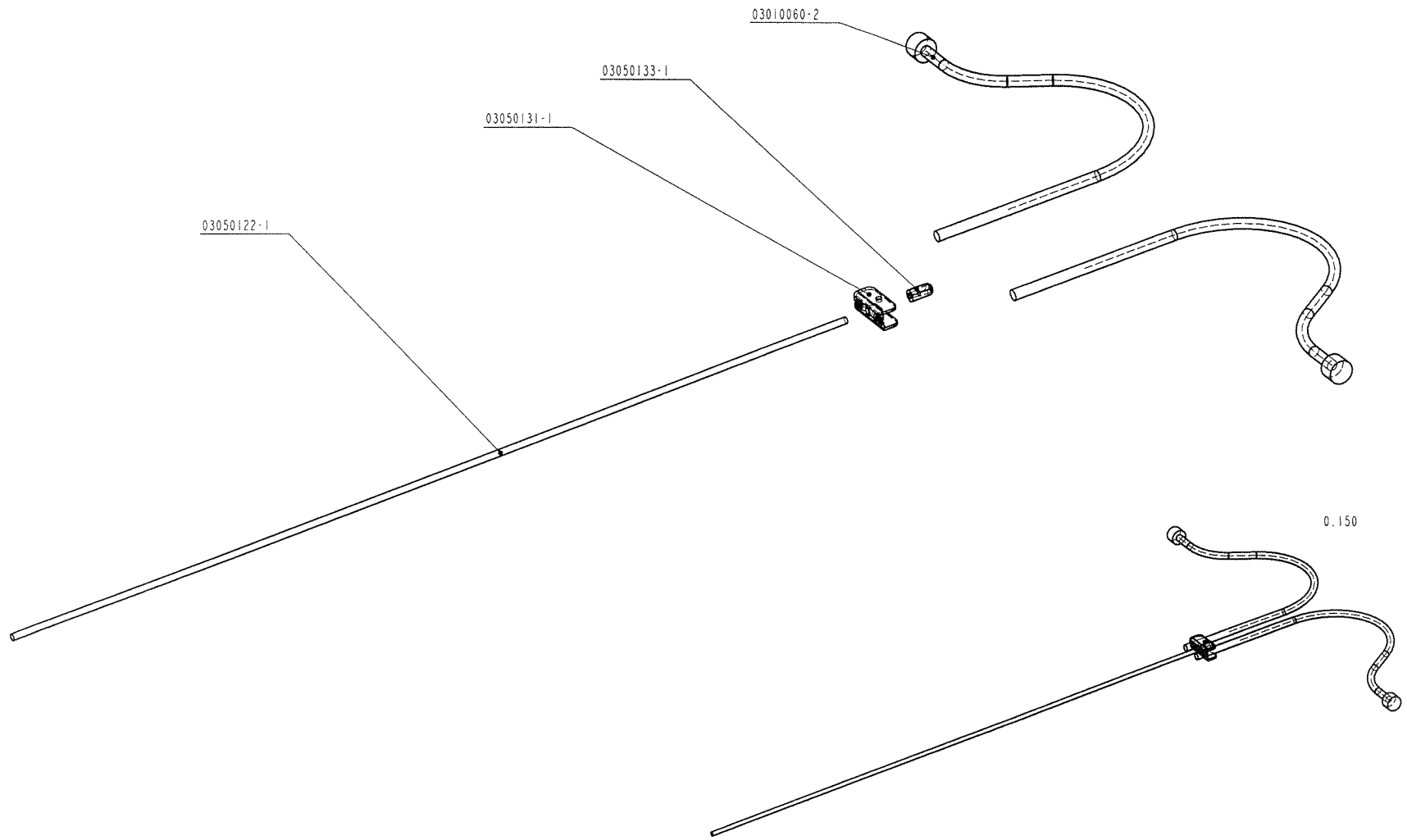
May not be copied or used without authorization by DENKA LIFT A/S	Tolerances if not otherwise indicated	<b>DENKA LIFT</b>	Format 2.000	Supersedes drawing no.
	Weight in kg. 0.316		Scale A2	Superseded by drawing no.
	Sheet 1	Approved by DK8	Drawn by HO	28-Mar-00
	Total sheets 1	Libelle samlet Level mounted Libelle monteret	Drawing no. 12342001	

A | B | C | D | E | F



Rev. A   03050111->03050183		06-Apr-04   JBK	
Tolerances if not otherwise indicated	<b>DENKA-LIFT</b>		Format
	Hojzong 5, DK-4300 Holbæk - Phone +45 59455500 Fax +45 59442155		0.250
Weight in kg.	DK8 JR12		Scale
4.479	Bremse komplet		A2
Sheet	Brake, complete		Approved by
1	Bremse, komplett		Drawn by
total sheets	12345901		MFM 8-Aug-00
1			Drawing no.

4	Kugeli
3	HANWEI
2	Brens
1	Bowde



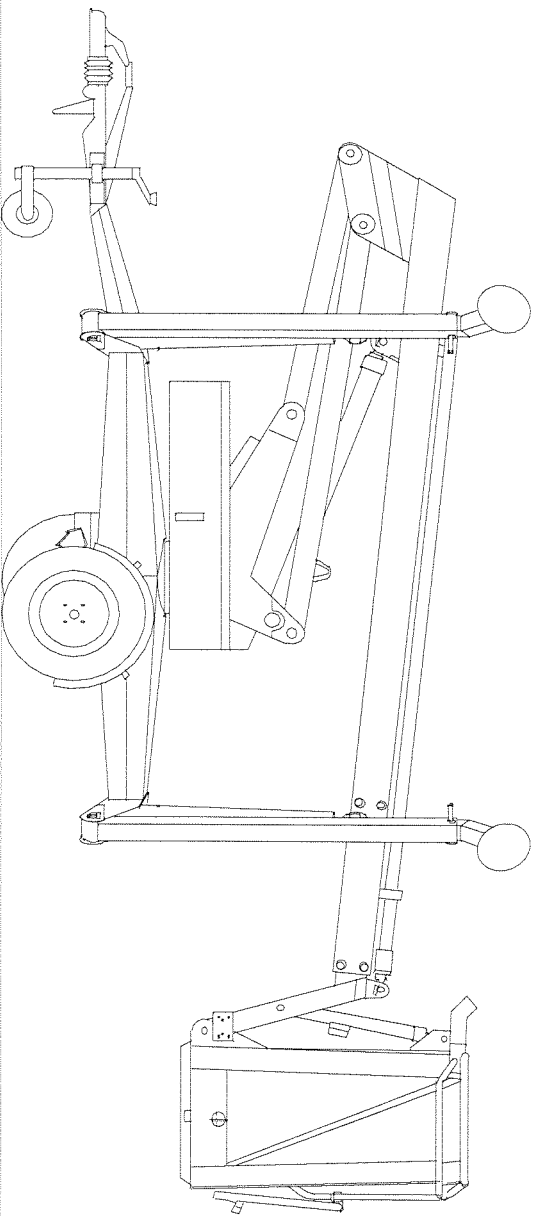
May not be copied or used without authorization by DENKA LIFT A/S	Tolerances if not otherwise indicated	<b>DENKA-LIFT</b>	Format 0.250	Supersedes drawing no.
	Weight in kg. 7850.000	Hejlskov S. DK-4300 Holbæk - Phone +45 59455500 Fax +45 59442155	Scale A2	Superseded by drawing no.
	Sheet 1	DK8	Approved by	
	Total sheets 1	Bremse komplet Brake, complete Bremse, komplett	Drawn by HØ 31-Mar-00	
			Drawing no. 12341101	



**RESERVEDELS-  
KATALOG**

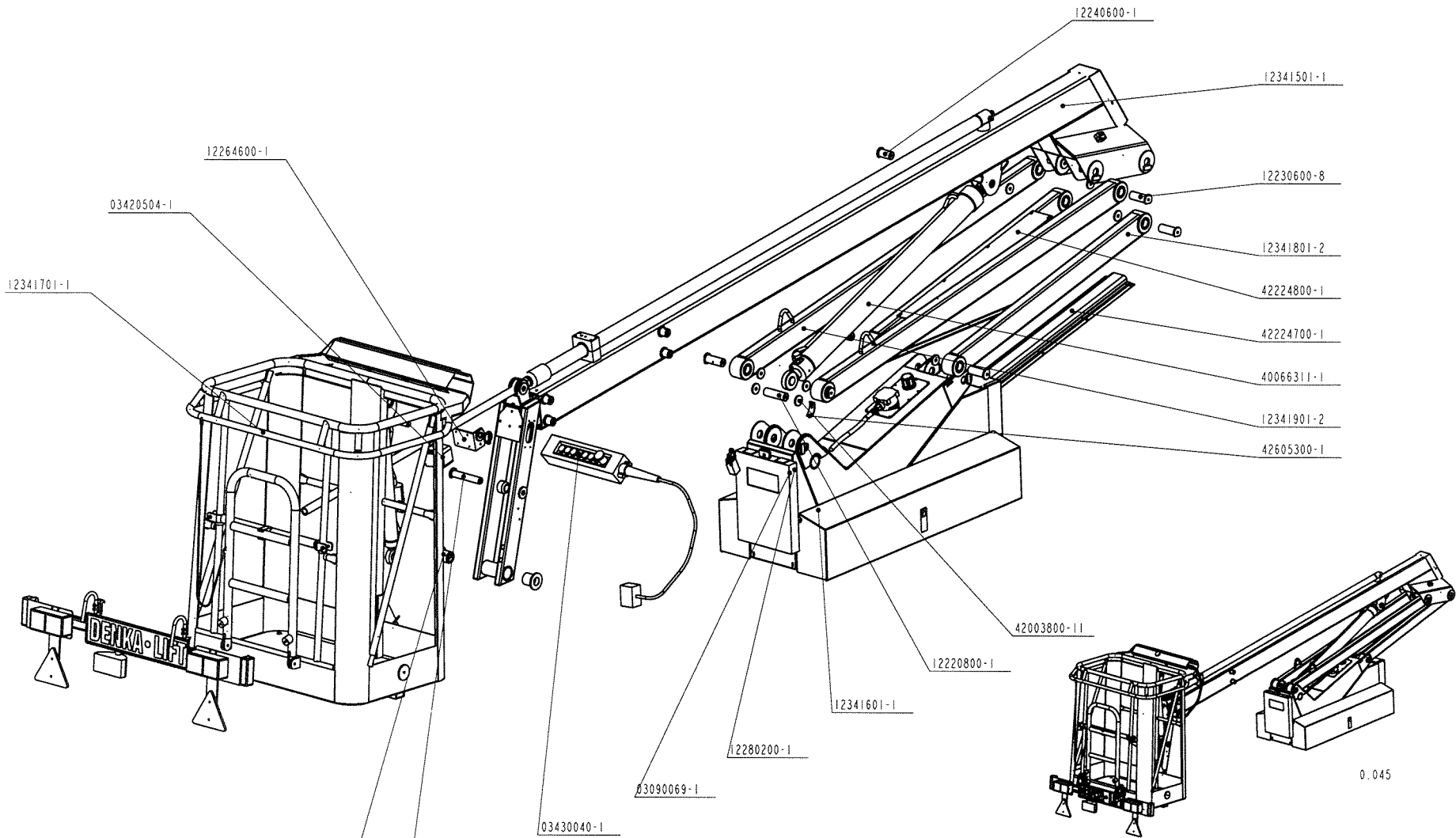
**SPARE PARTS  
CATALOGUE**

**ERSATZTEILS-  
KATALOG**



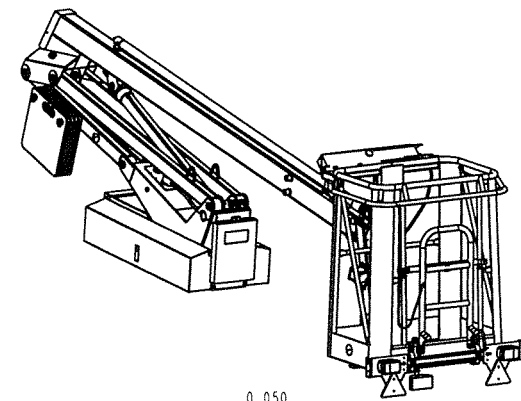
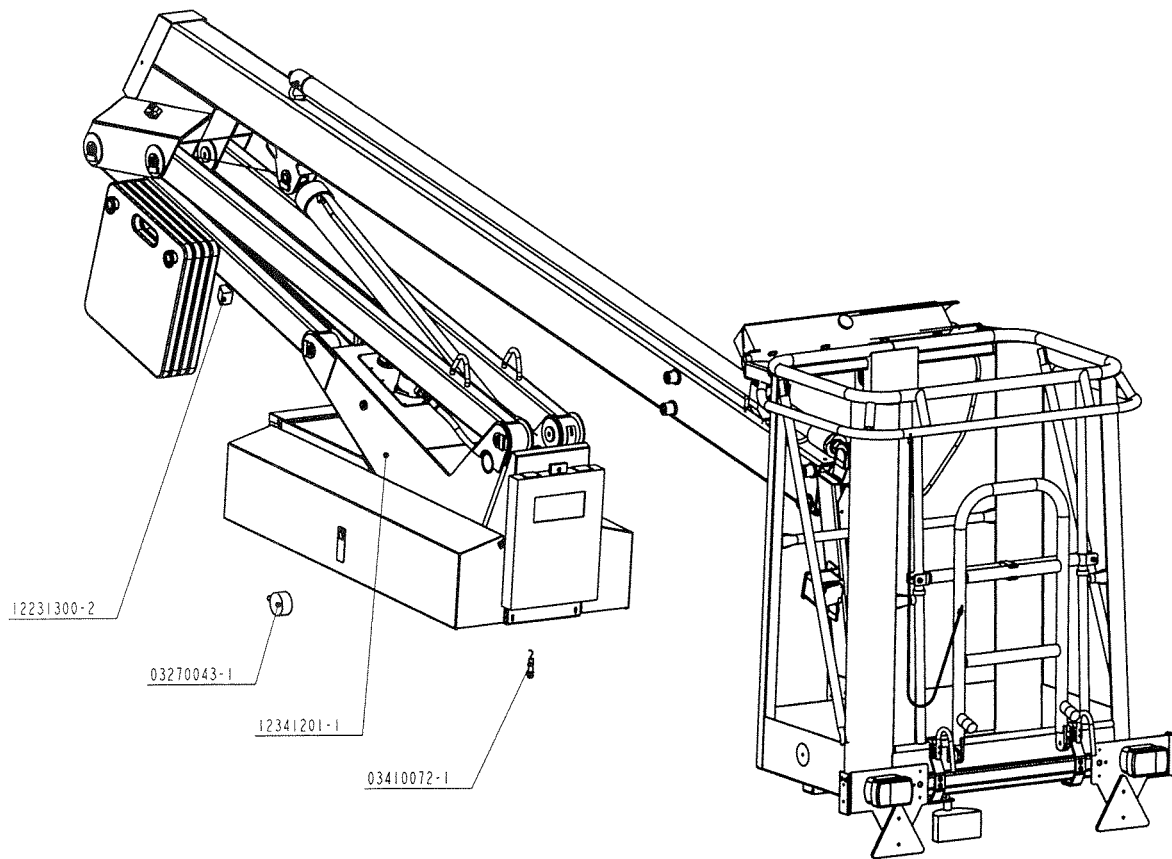
**KRØJEBOM  
SLEWING BOOM  
DREHSCHEMEL**

Version – 07/2004



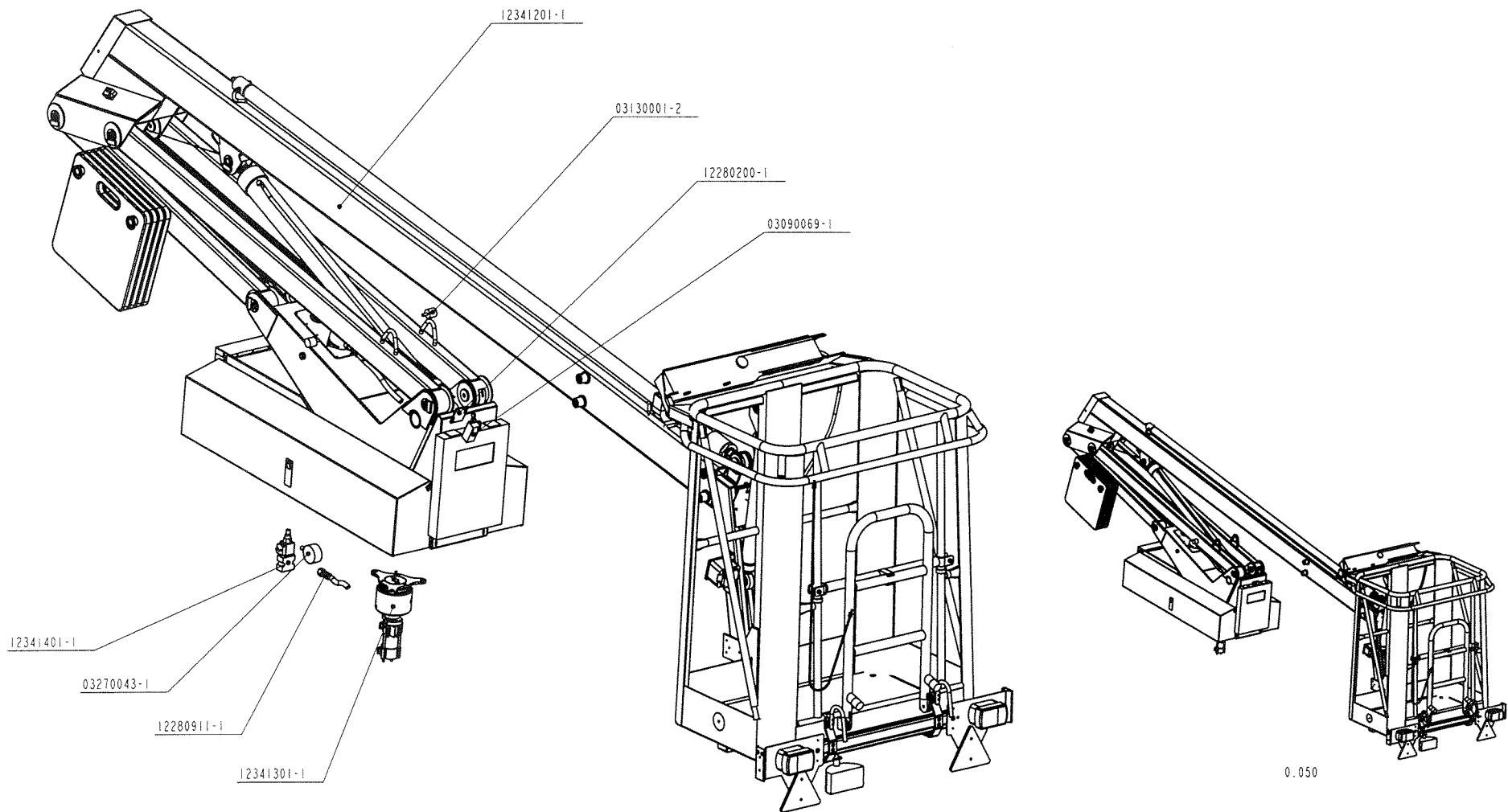
May not be copied or used without authorization by DENKA LIFT A/S	Tolerances if not otherwise indicated	<b>DENKA-LIFT</b>	Format 0, 100	Supersedes drawing no.
	Weight in kg. 7850,000	Højvang 5, DK-4300 Holbæk - Phone +45 59455500 Fax +45 59442155	Scale A2	Superseded by drawing no.
	Sheet 1	DK8	Approved by	
	Total sheets 1	Krøjbom + bom + kurv Slewing + boom + basket	Drawn by HO 06-Apr-00	
		Drehb.ausleger + ausleger + korb	Drawing no. <b>12341201</b>	



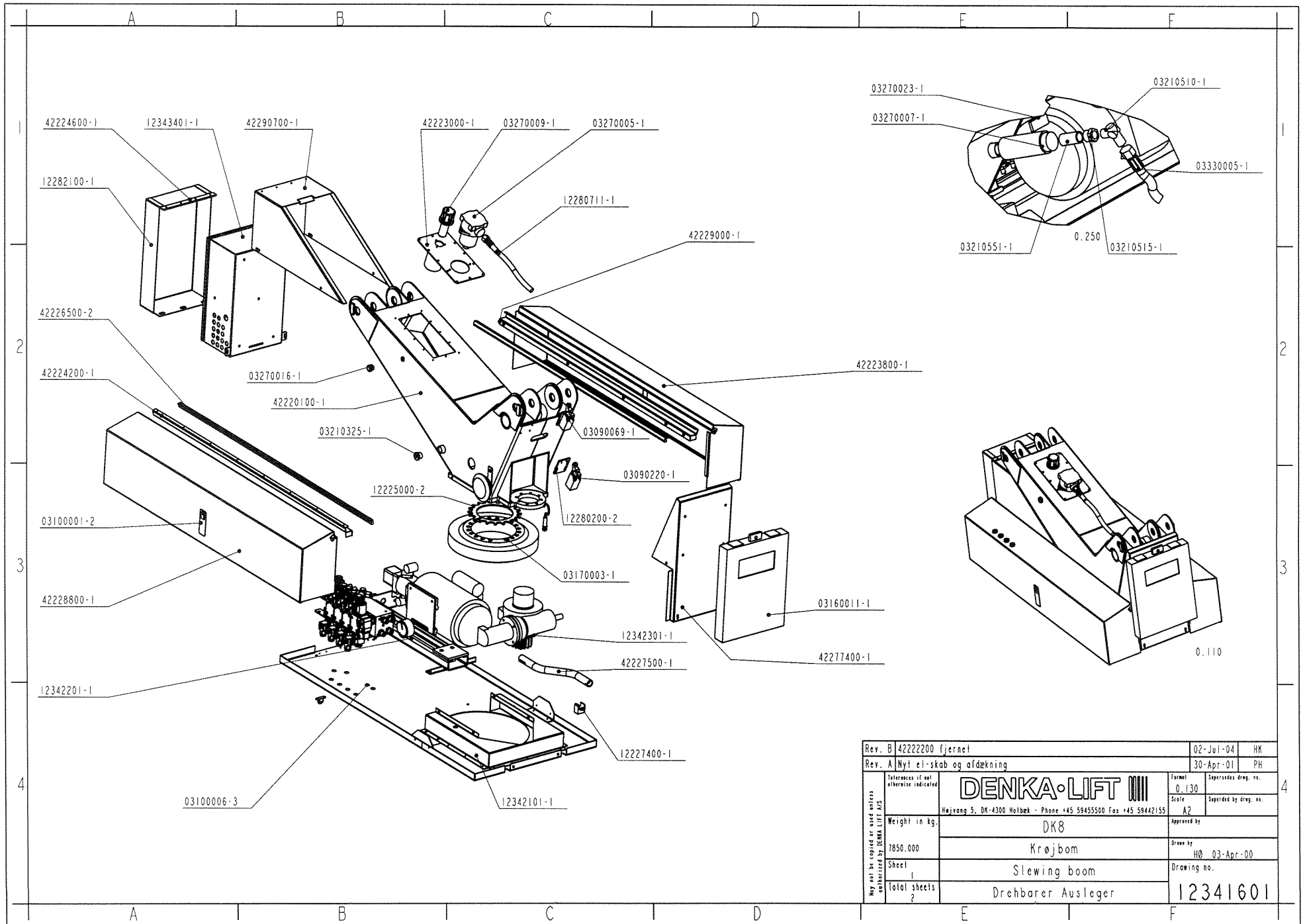


0.050

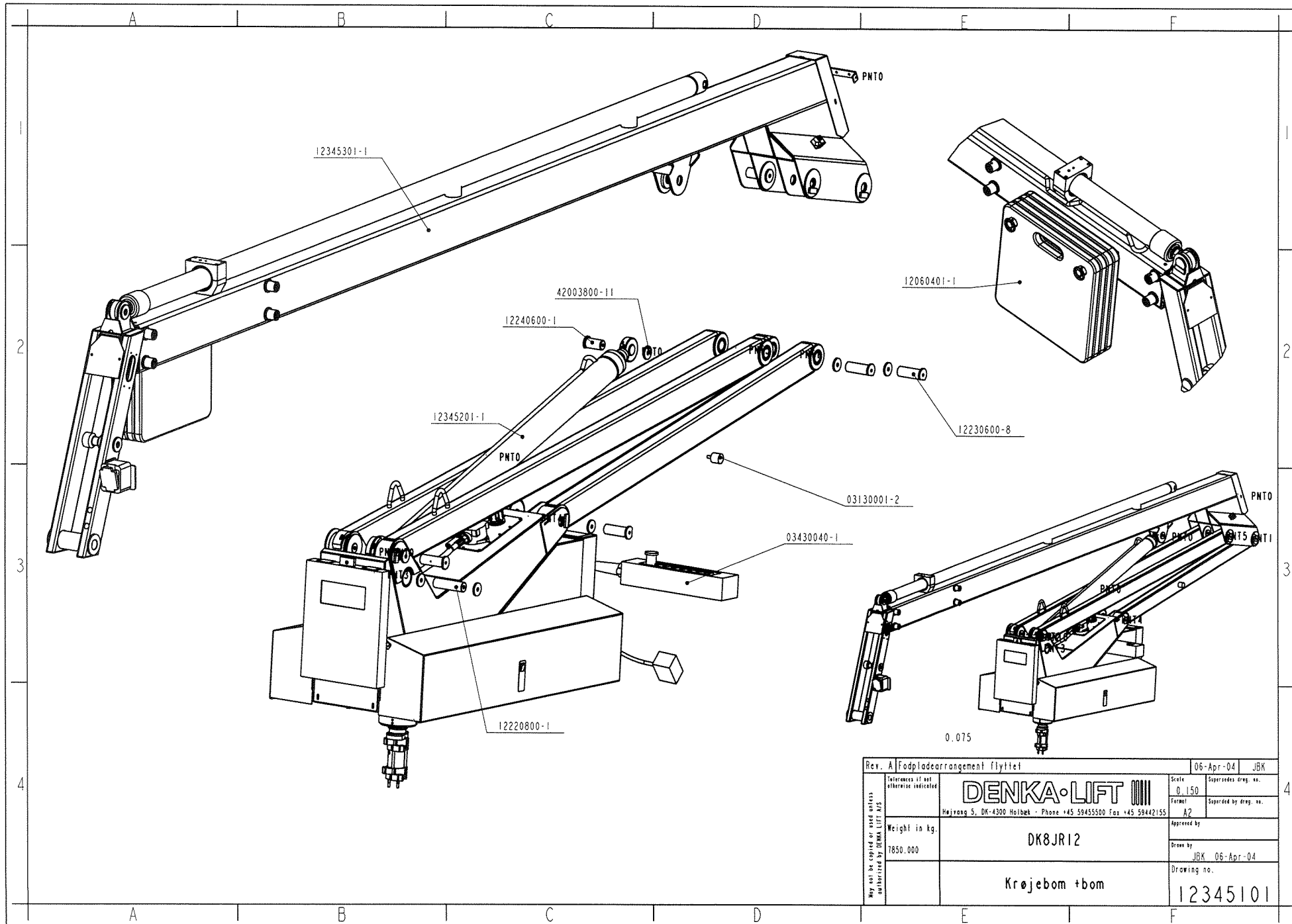
May not be copied or used unless authorized by DENKA LIFT A/S	Tolerances if not otherwise indicated	<b>DENKA-LIFT</b>	Format 0.110	Supersedes drawing no.
	Weight in kg 7850.000	Højvang S, DK-4300 Holbæk - Phone: +45 59455500 Fax: +45 59442155	Scale A2	Superseded by drawing no.
	Sheet 1	DK8	Approved by	Drawn by HØ 10-Apr-00
	Total sheets 1	Krøjbom+bom (Manuel støtteben)	Drawing no.	
		Drehb. Ausl.+Ausl. (Man. Stützab.)	<b>12342601</b>	



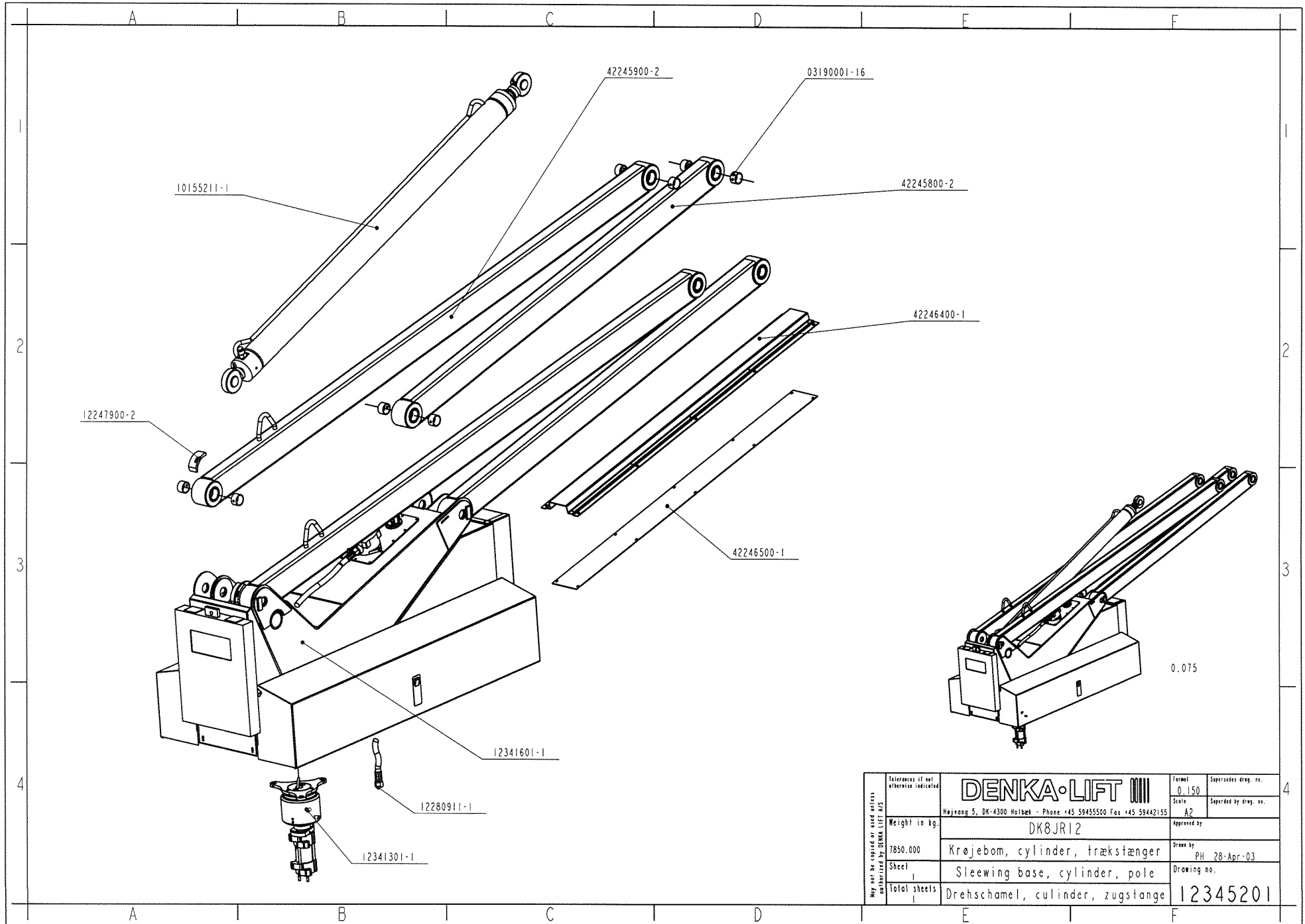
May not be copied or used unless authorized by DENKA LIFT A/S	Tolerances if not otherwise indicated	<b>DENKA LIFT</b>		Format	Supersedes drawing no.
		Højvang S. DK-4300 Holbæk - Phone +45 59455500 Fax +45 59442155		0.110	
	Weight in kg.	DK8		Scale	Supersedes by drawing no.
	7850.000	Krøjbom + bom (Hydr. støtteben)		A2	
	Sheet	Slewing boom+boom (hydr. outrig.)		Approved by	Drawn by
Total sheets	Drehb. Ausl+Ausl. (Hydr. Stützab.)			HØ 11-Apr-00	Drawing no.
					12340401



Rev. B	4222200 fjernet	02-Jul-04	HK	
Rev. A	Nyt el-skab og afdekning	30-Apr-01	PH	
<small>May not be copied or used without authorization by DENKA LIFT A/S</small>	<small>Tolerances if not otherwise indicated</small> <b>DENKA-LIFT</b>	<small>Format</small> 0_130	<small>Supersedes drawing no.</small> 	
	<small>Weight in kg.</small> 7850.000	<small>Scale</small> A2	<small>Supersedes by drawing no.</small> 	
	<small>Sheet</small> 1	<small>Approved by</small> DK8	<small>Drawn by</small> HO	<small>03-Apr-00</small>
	<small>Total sheets</small> 2	Krøjbom Slewing boom Drehbarer Ausleger	<small>Drawing no.</small> 12341601	



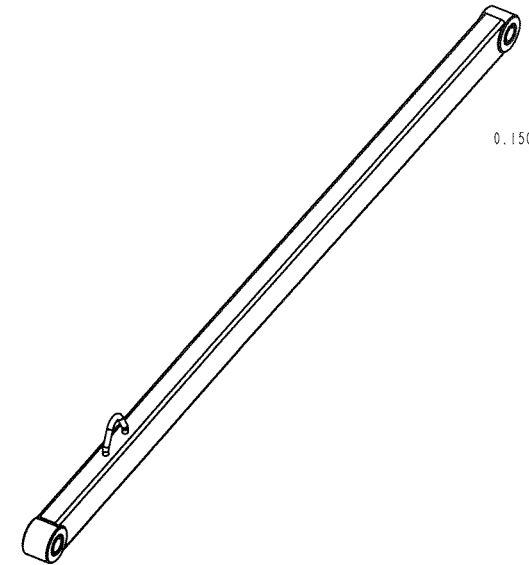
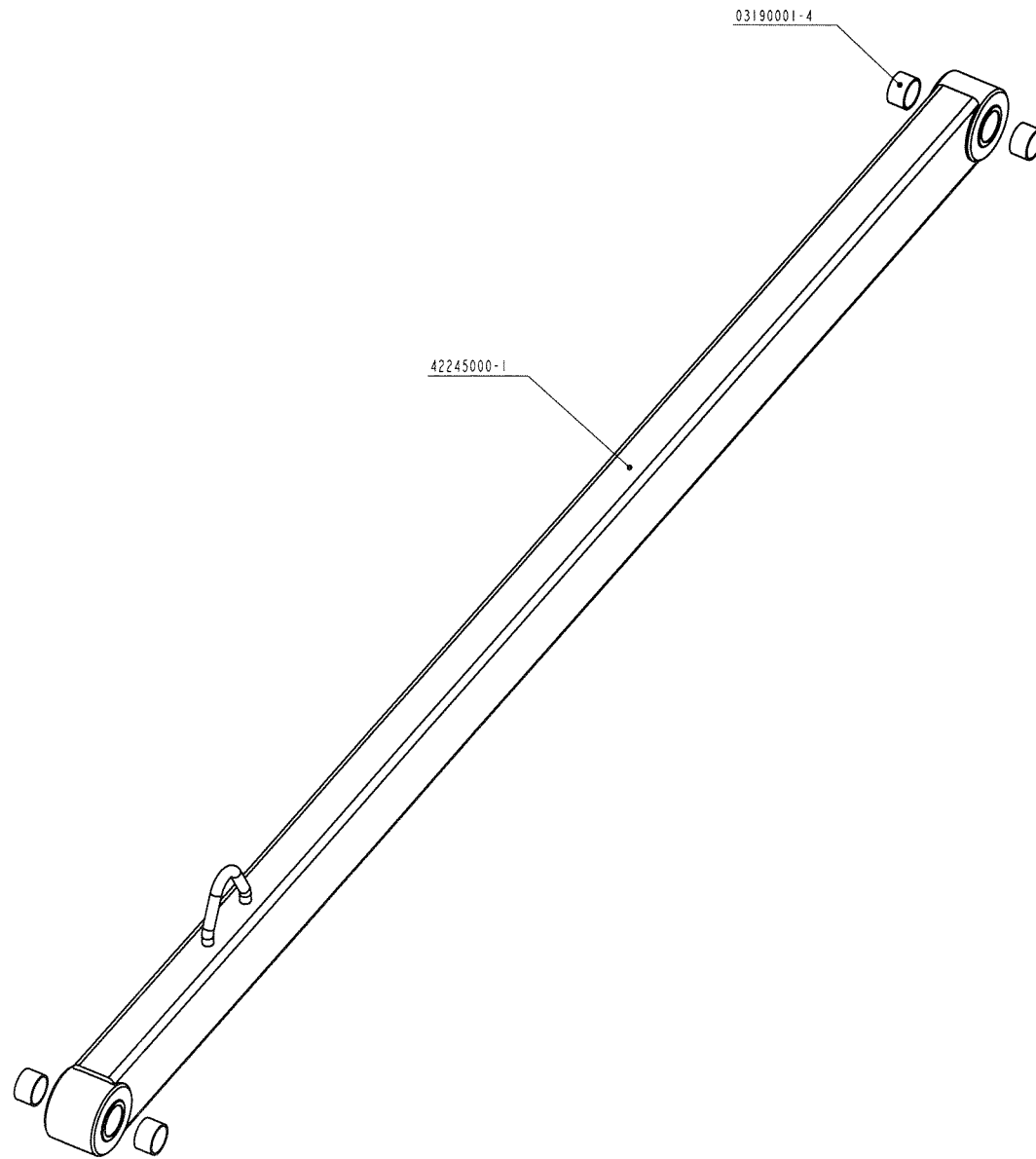
Rev. A   Fodpladearrangement flyttet		06-Apr-04	JBK
<small>           Tolerances if not otherwise indicated            May not be copied or used without authorization by DENKA LIFT A/S         </small>	<b>DENKA-LIFT</b>		<small>Scale</small> 0,150 <small>Supersedes drawing no.</small>
	<small>Højvang 5, DK-4300 Holbæk - Phone +45 59455500 Fax +45 59442155</small>		<small>Format</small> A2 <small>Superseded by drawing no.</small>
<small>Weight in kg.</small> 7850.000	<b>DK8JR12</b>		<small>Approved by</small>  <small>Drawn by</small> JBK 06-Apr-04
<b>Krøgebom +bom</b>			<small>Drawing no.</small> <b>12345101</b>



May not be copied or used without authorization by DENKA LIFT A/S	Tolerances if not otherwise indicated	<b>DENKA-LIFT</b>	Format 0.150	Supersedes drawing no.
	Weight in kg. 7850.000	Højvang S, DK-4300 Holbæk - Phone +45 59455500 Fax +45 59442155	Scale A2	Superseded by drawing no.
	Sheet 1	DK8JR12	Approved by	Drawn by PH 28-Apr-03
	Total sheets 1	Krøjbom, cylinder, trækstænger Slewing base, cylinder, pole	Drawing no.	
		Drehschamel, cylinder, zugstange		

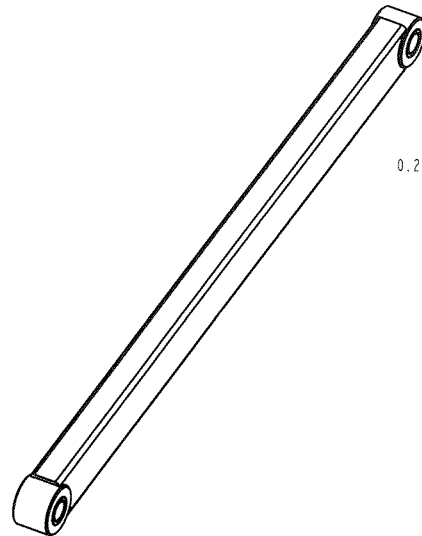
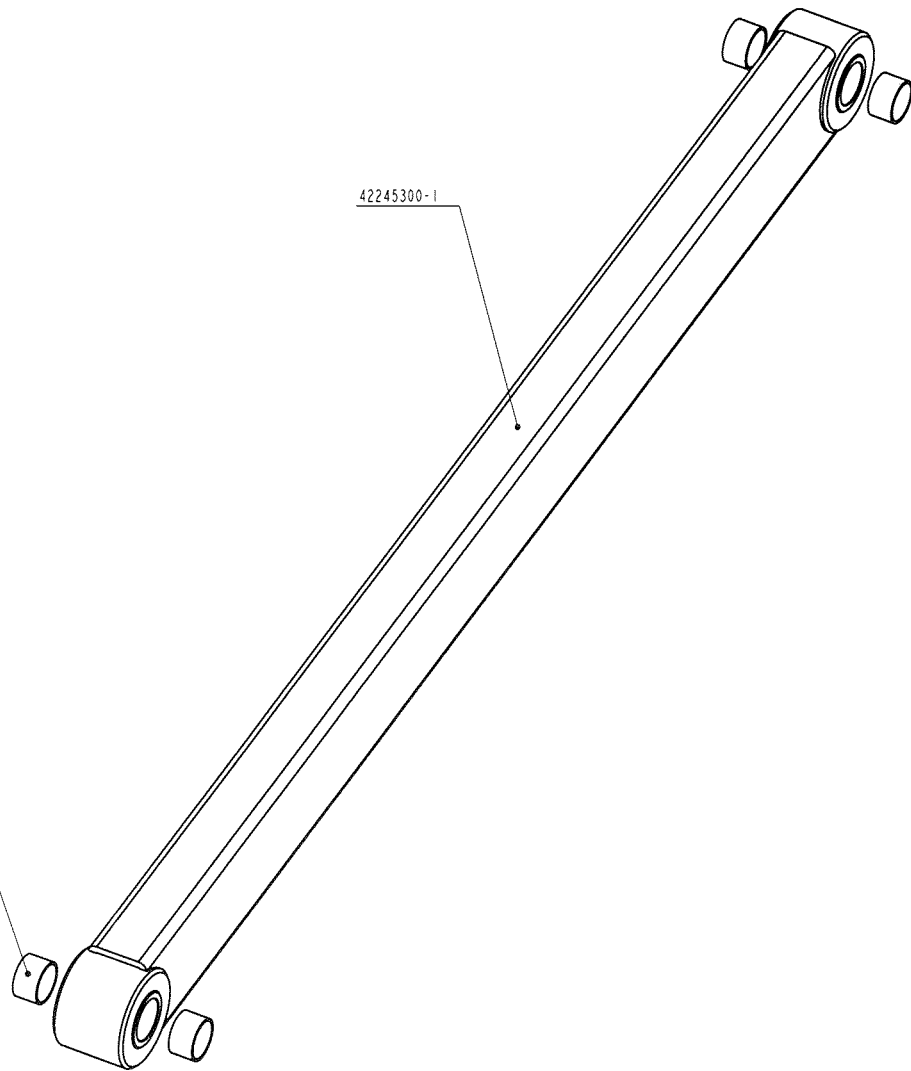
0.075


12345201

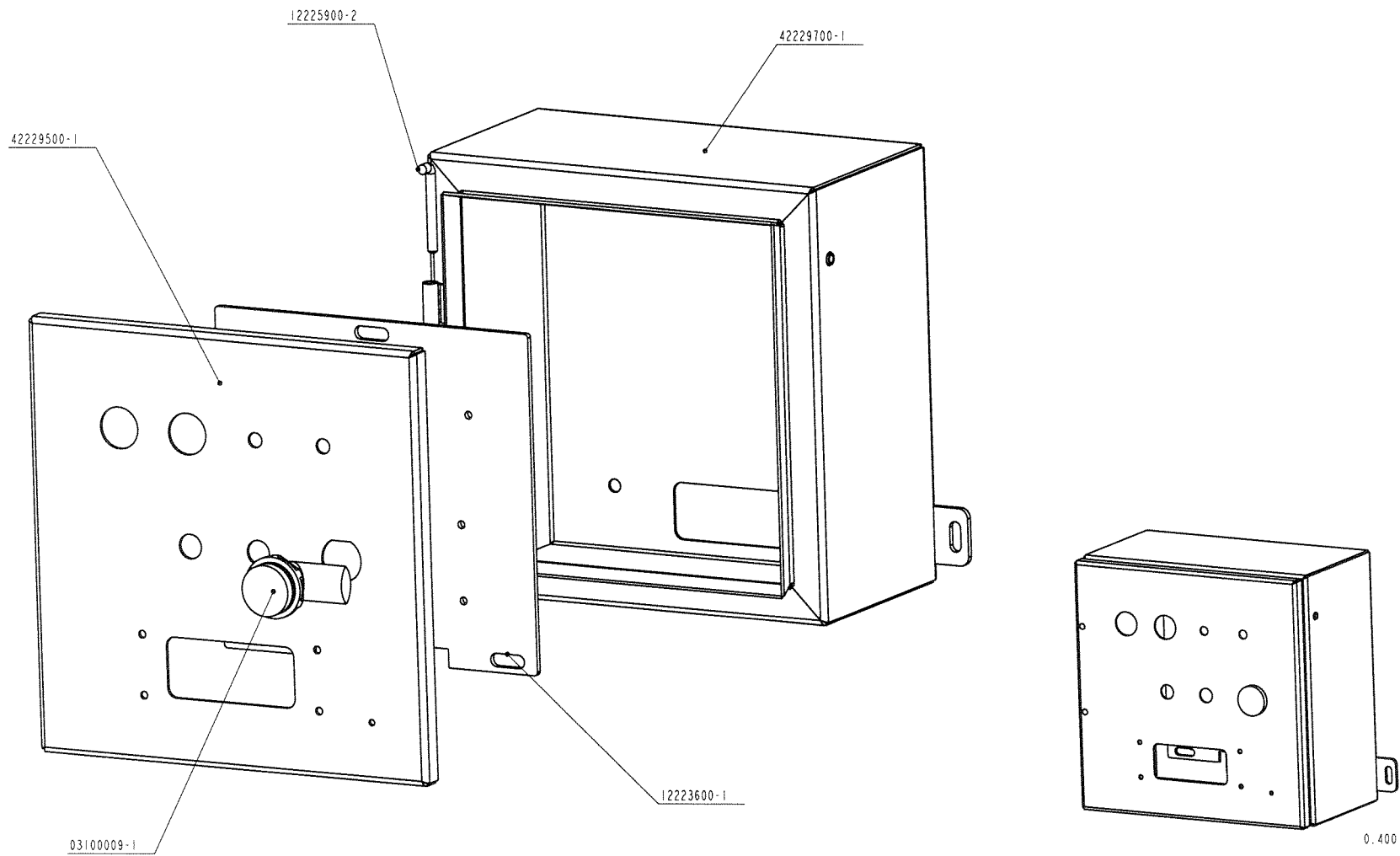



May not be copied or used without authorization by DENKA LIFT A/S	Tolerances if not otherwise indicated	<b>DENKA-LIFT</b>	Format 0_300	Supersedes drwg. no.
	Weight in kg.	Hejning S, DK-4300 Holbæk - Phone +45 59455500 Fax +45 59442155	Scale A2	Supersedes by drwg. no.
	7850.000	DK8	Approved by	
	Sheet 1	Lang trækstang med glacierbøsn.	Drawn by HD 29-Mar-00	
	Total sheets 1	Long pole with buch Lange Zugstange mit Glazierbuchse	Drawing no. 12341901	

03190001-4

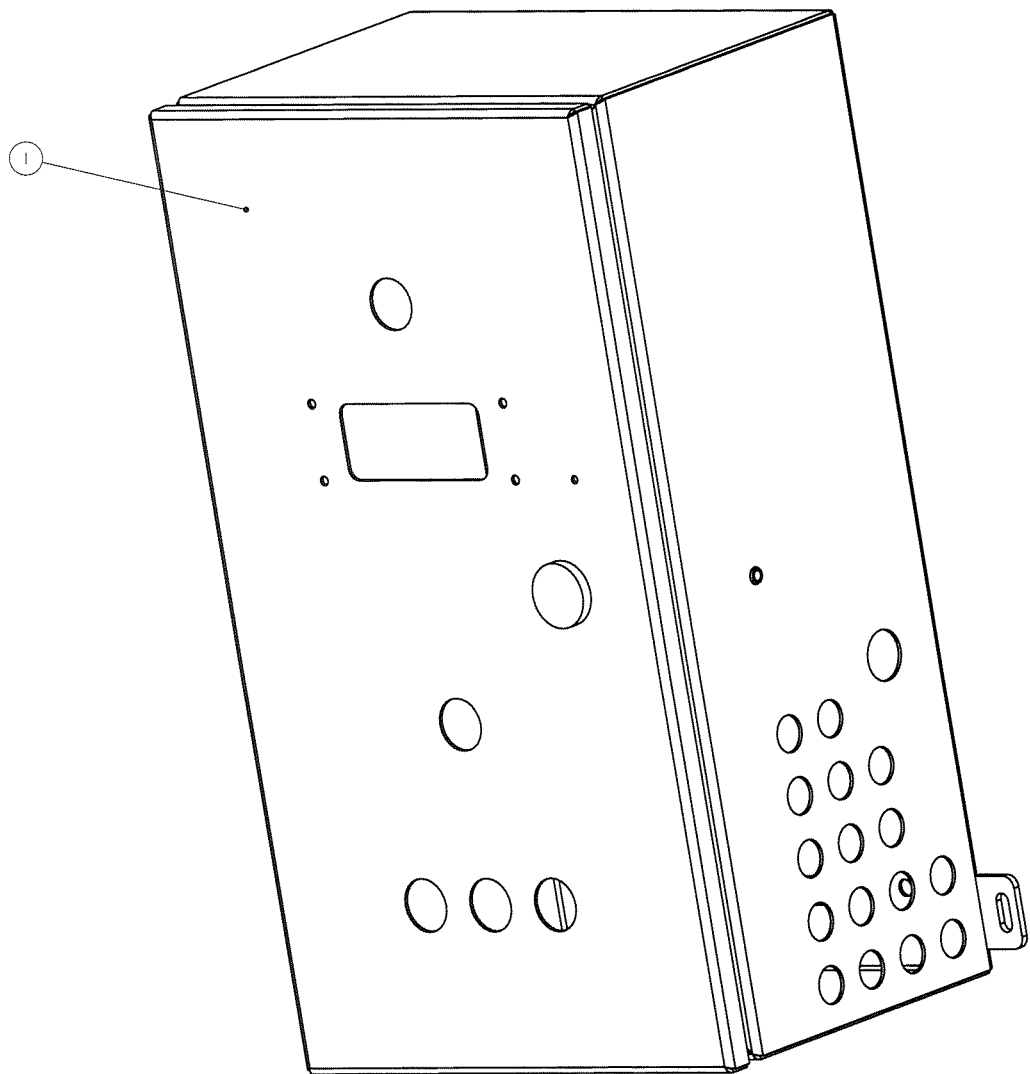



May not be copied or used without authorization by DENKA LIFT A/S	Tolerances if not otherwise indicated	<b>DENKA-LIFT</b> 	Format	Supersedes drawing no.
		Højvang S, DK-4300 Holbæk - Phone +45 59455500 Fax +45 59442155	0_400	
	Weight in kg.	DK8	Scale	Supersedes by drawing no.
	7850.000	Kort trækstang med glacierbøsn.	A2	
	Sheet	Short pole with buch	Approved by	Drawn by
Total sheets	Kurze Zugstange mit Glazierbuchse	HØ	29-Mar-00	
1		Drawing no.		
1		12341801		

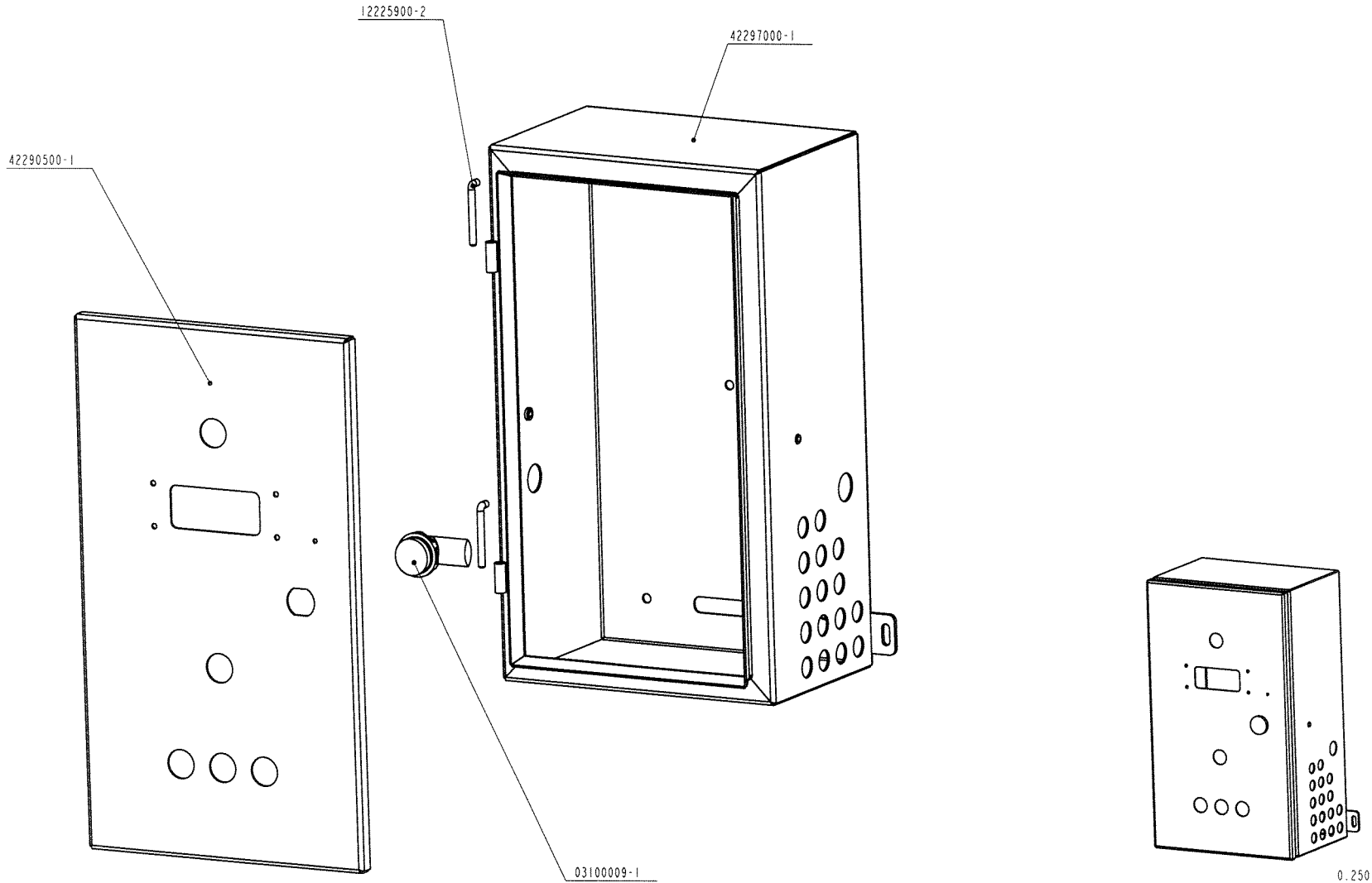


May not be copied or used without authorization by DENKA LIFT A/S	Tolerances if not otherwise indicated	<b>DENKA-LIFT</b> 	Format	Supersedes drag. no.
		Højtræng 5, DK-4300 Holbæk - Phone +45 59455500 Fax +45 59442155	0.700	
	Weight in kg.		A2	Supersedes by drag. no.
	7850.000	EI-skab komplet	Approved by	
	Sheet	EI-Schrank komplett	Drawn by	HØ 14-Apr-00
Total sheets	EI-	Drawing no.		12342401



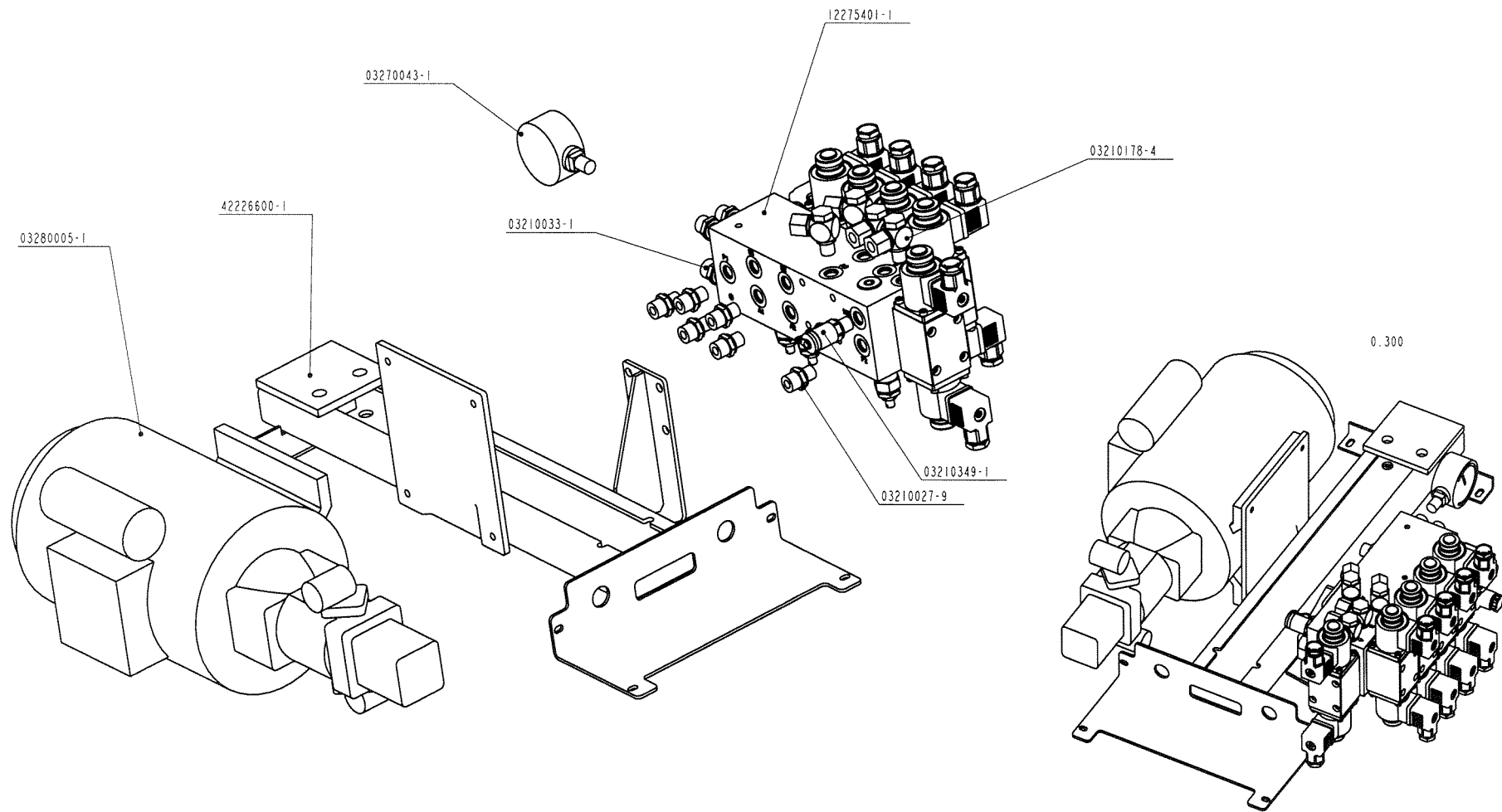



	El-skab komplet	El-locker complete	El-Schrank komplett	1	12343301	7850.000
May not be copied or used without authorization by DENKA LIFT A/S	Tolerances if not otherwise indicated	<b>DENKA-LIFT</b> 		Format	Supersedes drawing no.	
		Højvang 5, DK-4300 Holbæk - Phone +45 59455500 Fax +45 59442155		Scale	Supersedes by drawing no.	
	Weight in kg.	DK8		Approved by		
	7850.000	El-skab med el-dele monteret		Drawn by	PH 25-Apr-01	
	Sheet	Locker with el-componets complete		Drawing no.		
Total sheets	Schrank mit el-Komponenten				12343401	

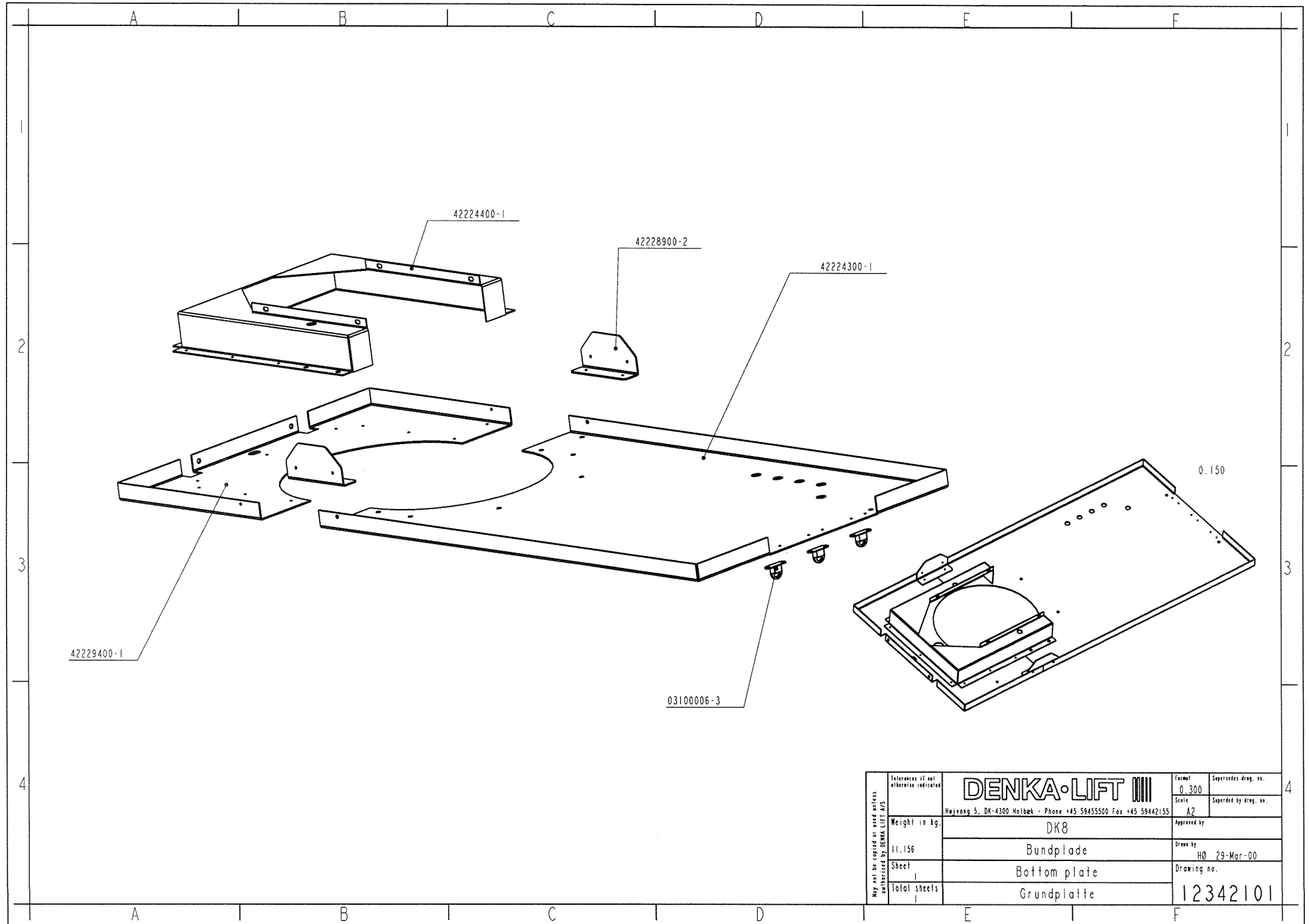


May not be copied or used unless authorized by DENKA LIFT A/S	Tolerances if not otherwise indicated	<b>DENKA-LIFT</b>		Format	Spejersdalers drag. no.
	Weight in kg.	Højvang S, DK-4300 Holbæk - Phone +45 59455500 Fax +45 59442155		Scale	Specified by drag. no.
	7850.000	DK8		Approved by	
	Sheet	El-skab komplet		Drawn by	HØ 14-Apr-00
	Total sheets	EL-locker complete		Drawing no.	
	El-Schrank komplett		12343301		

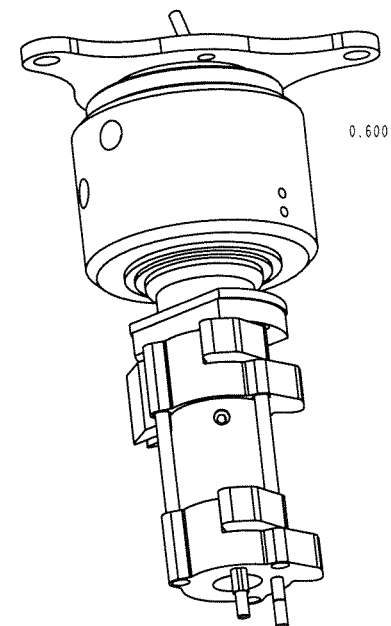
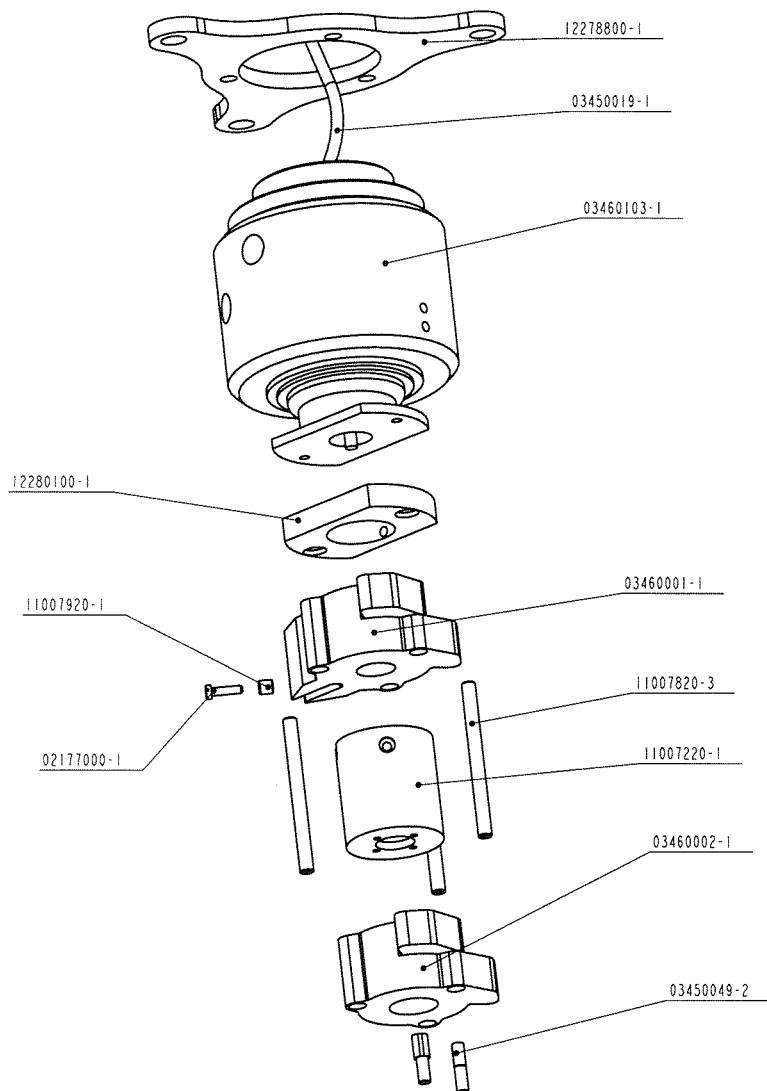
4	Løge
3	HUNKE
2	Høngs
1	El-sk



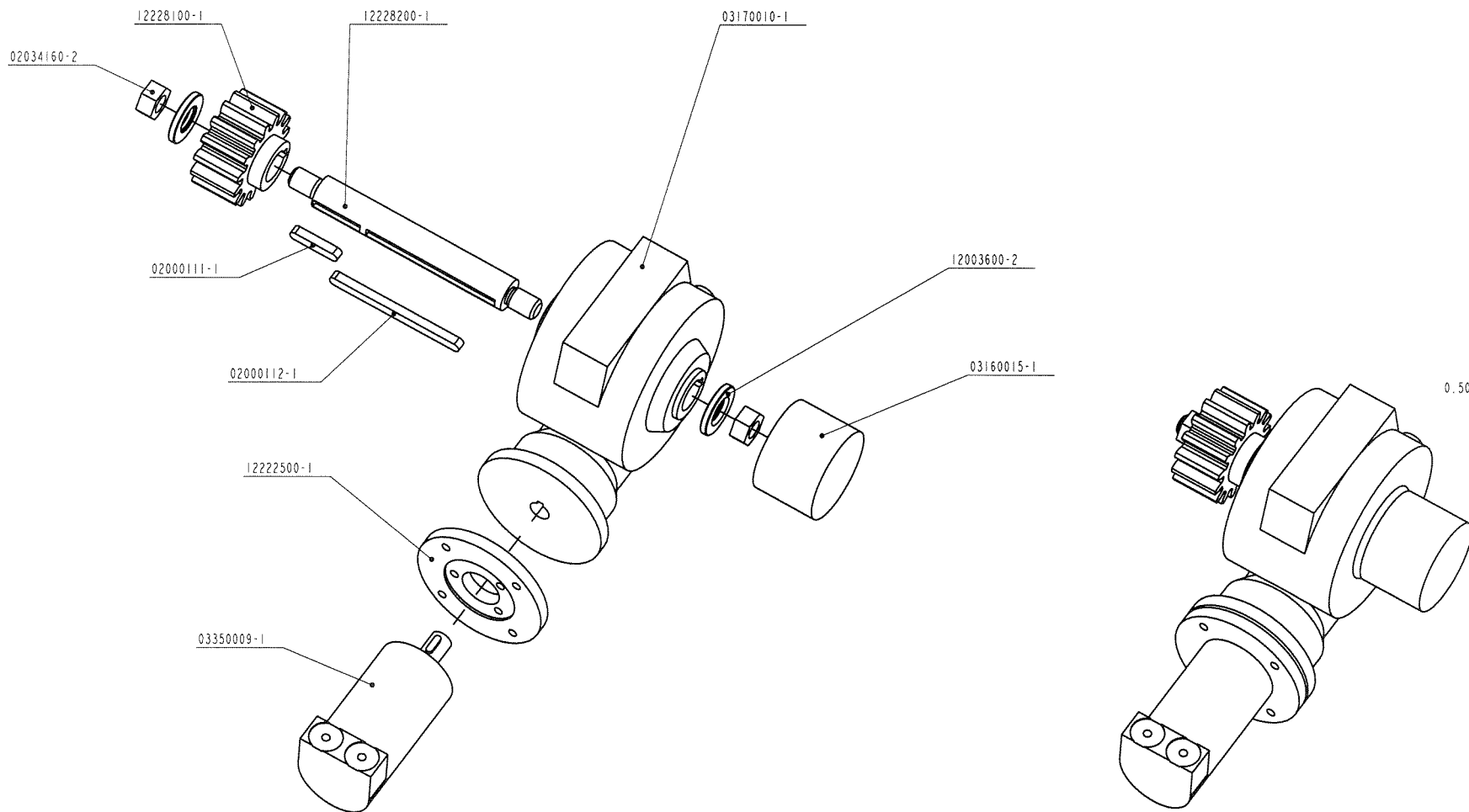
May not be copied or used unless authorized by DENKA LIFT A/S	Tolerances if not otherwise indicated	<b>DENKA LIFT</b> 	Formal	Supersedes drag. no.
	Weight in kg.		D 400	Supersedes by drag. no.
	98.843	Højvang S, DK-4300 Holbæk - Phone +45 59455500 Fax +45 59442155	Scale	Approved by
	Sheet	DK8	A2	Drawn by
	Total sheets	Bærebjælke med el-kasse		HØ 27-Mar-00
	Beam with el-box		Drawing no.	
	Tragbalken mit El-box			12342201



May not be copied or used without authorization by DENKA LIFT A/S	Interferences if not otherwise indicated	<b>DENKA-LIFT</b>	Format 0.300	Supersedes drawing no.
	Weight in kg. 11.156	Højvang S, DK-4300 Holbæk - Phone +45 59455500 Fax +45 59442155	Scale A2	Supersedes by drawing no.
	Sheet 1	Approved by DK8	Drawn by HØ 29-Mar-00	
	Total sheets 1	Bottom plate	Drawing no. 12342101	
		Grundplatte		



May not be copied or used without authorization by DENKA LIFT A/S	Tolerances if not otherwise indicated	<b>DENKA LIFT</b>	Format 0.600	Supersedes drawing no.
	Weight in kg.	Højvang 5, DK-4300 Holbæk - Phone +45 59455500 Fax +45 59442155	Scale A2	Supersedes by drawing no.
	10.578	DK8	Approved by	Drawn by
	Sheet 1	El-drejeled (hydr.støtteben)	HO 10-Apr-00	Drawing no.
	Total sheets 1	El. Drejgelenk (Hydr. Stützbeine)	12341301	

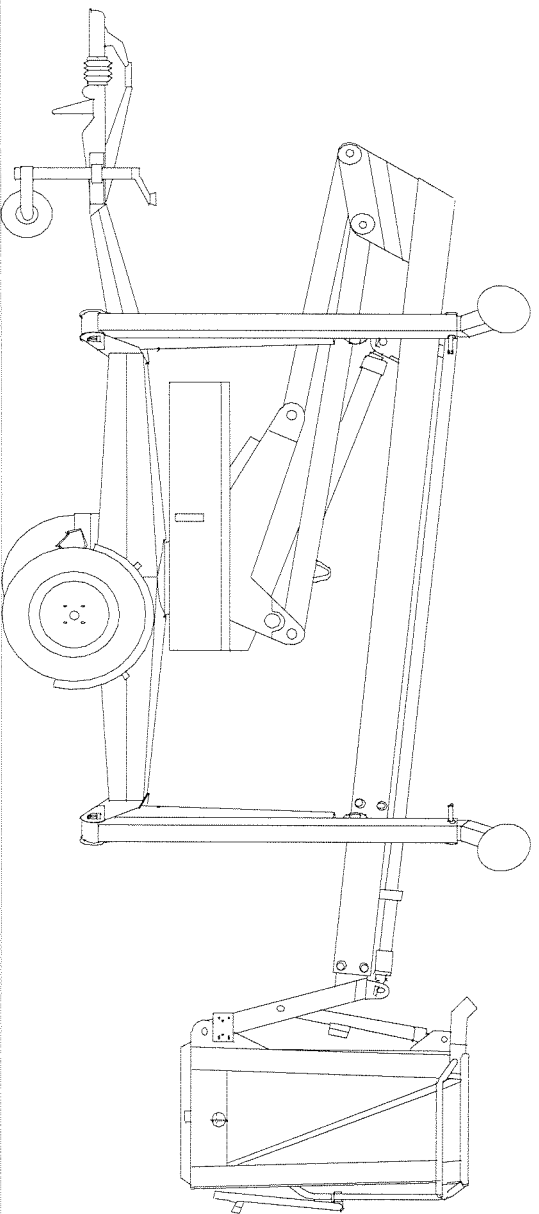


May not be copied or used without authorization by DENKA LIFT A/S	Tolerances if not otherwise indicated	<b>DENKA LIFT</b>	Formel 0.500	Supersedes drwg. no.
	Weight in kg. 7850.000	Højvang 5, DK-4300 Holbæk - Phone +45 59455500 Fax +45 59442155	Scale A2	Supersedes by drwg. no.
	Sheet 1	DK8	Approved by	Drawn by HO 29-Mar-00
	Total sheets 1	Hydraulikmotor + krøje gear Hydraulic engine + slewing gear	Drawing no.	12342301
		Hydr. Motor + Drehgetriebe		

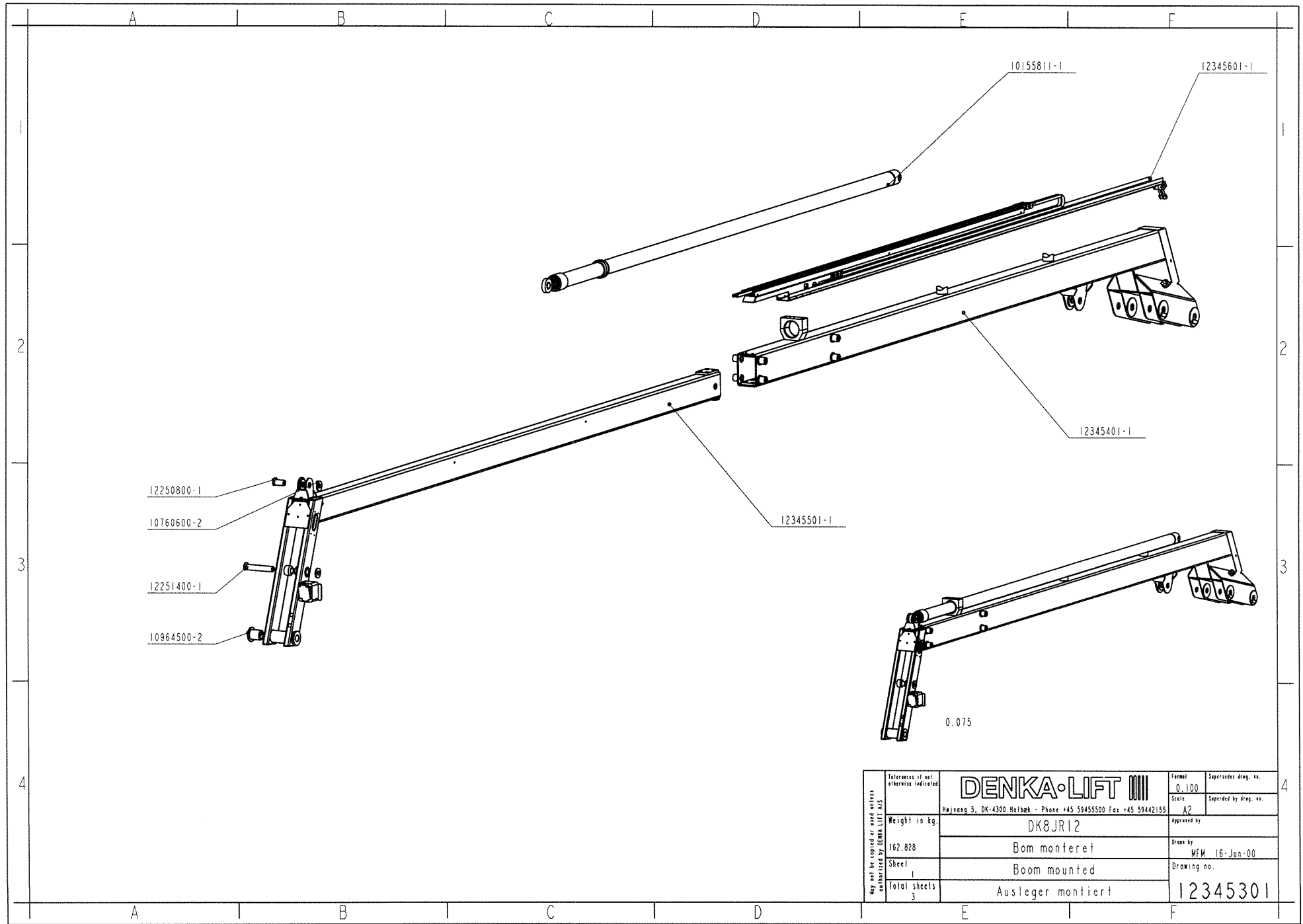
**RESERVEDELS-  
KATALOG**

**SPARE PARTS  
CATALOGUE**

**ERSATZTEILS-  
KATALOG**

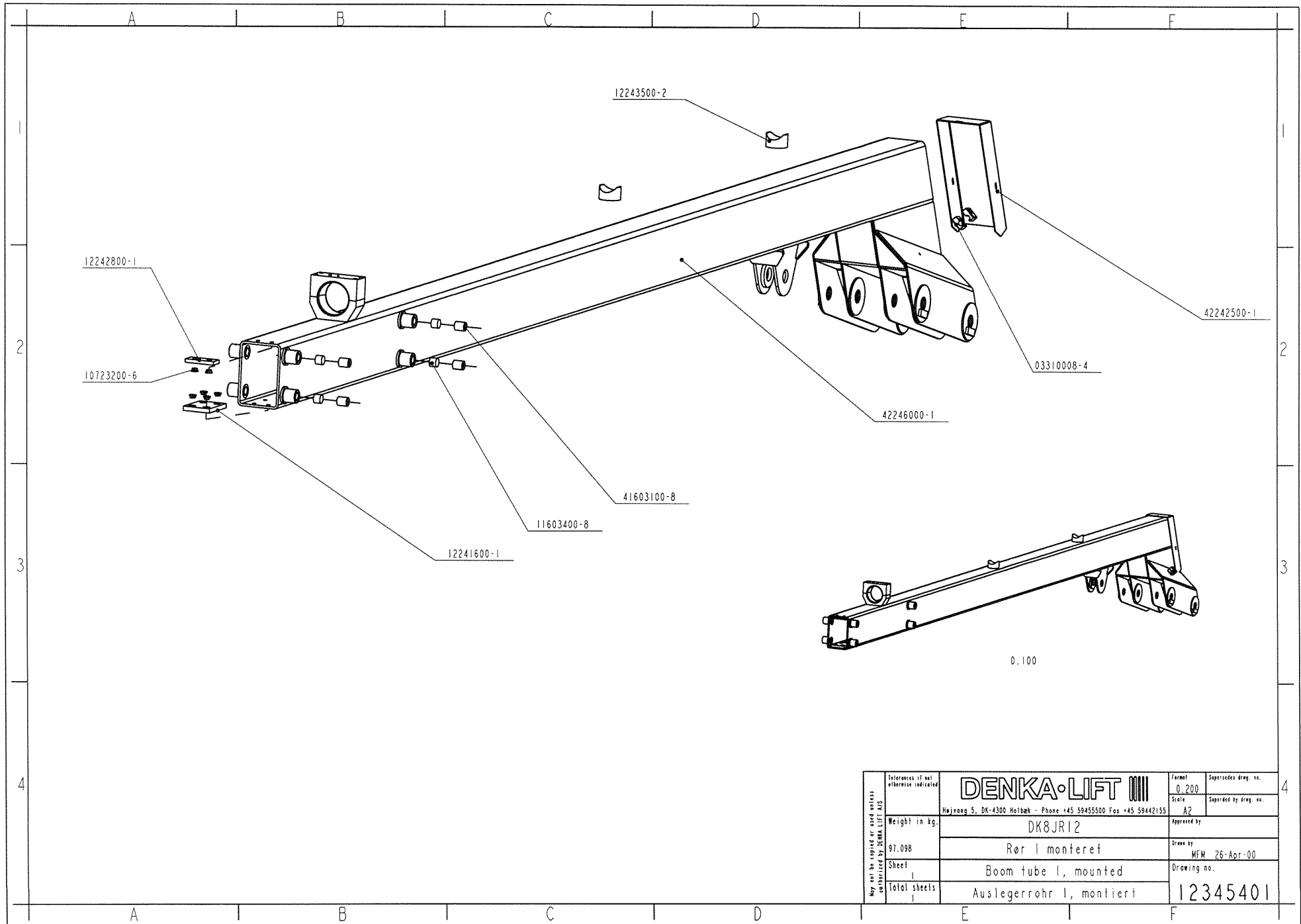


**BOM  
BOOM  
AUSLEGER**

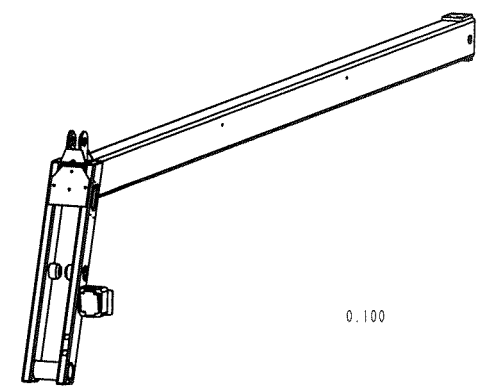
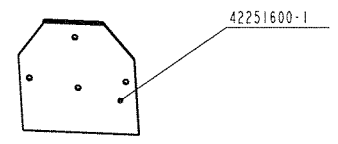
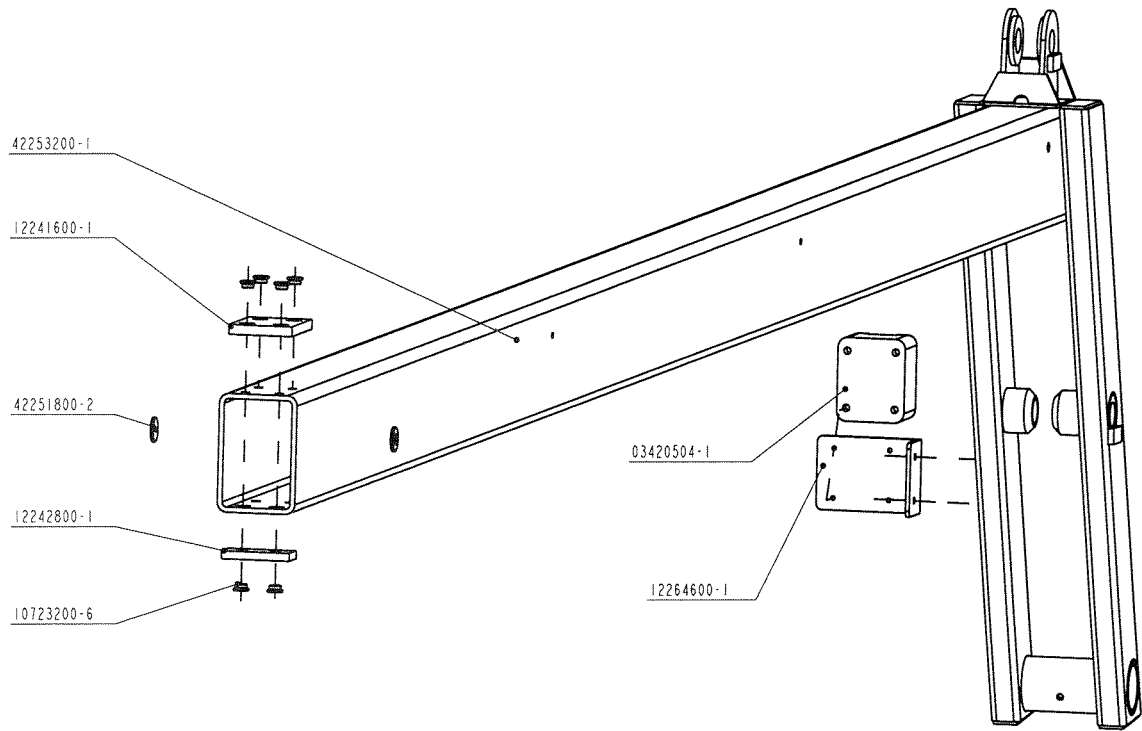



Not to be copied or used without authorization by DENKA LIFT A/S	Tolerances if not otherwise indicated	<b>DENKA-LIFT</b>	Format	Supersedes drag. no.
			0.100	
	Weight in kg.	Højvang 5, DK-4300 Holbæk - Phone +45 59455500 Fax +45 59442155	Scale	Supersedes by drag. no.
	162.828		A2	
	Sheet		Approved by	
1		DK8JR12	Drawn by	
		Bom monteret	MFM 16-Jun-00	
		Boom mounted	Drawing no.	
total sheets		Ausleger montiert	12345301	
3				

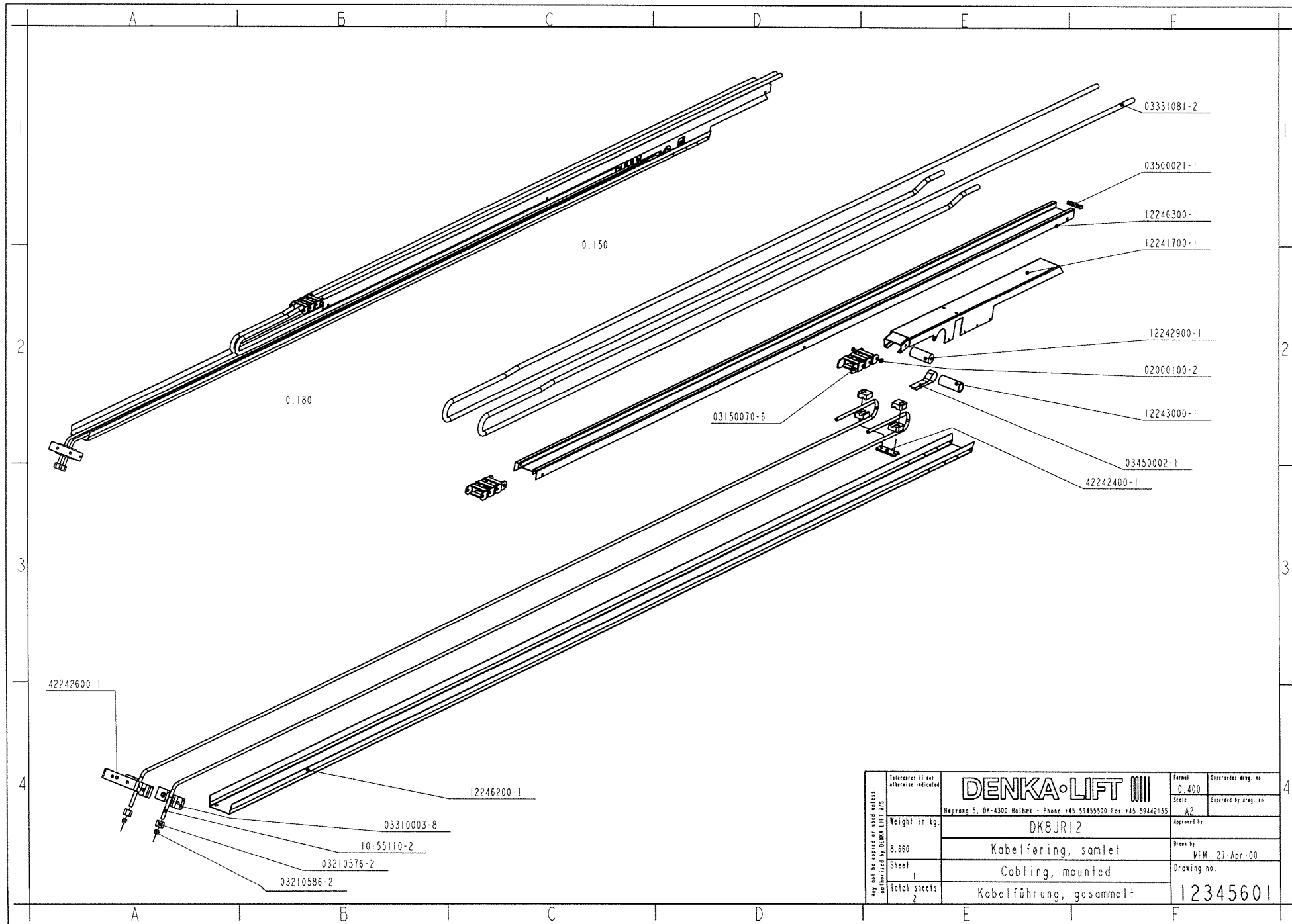




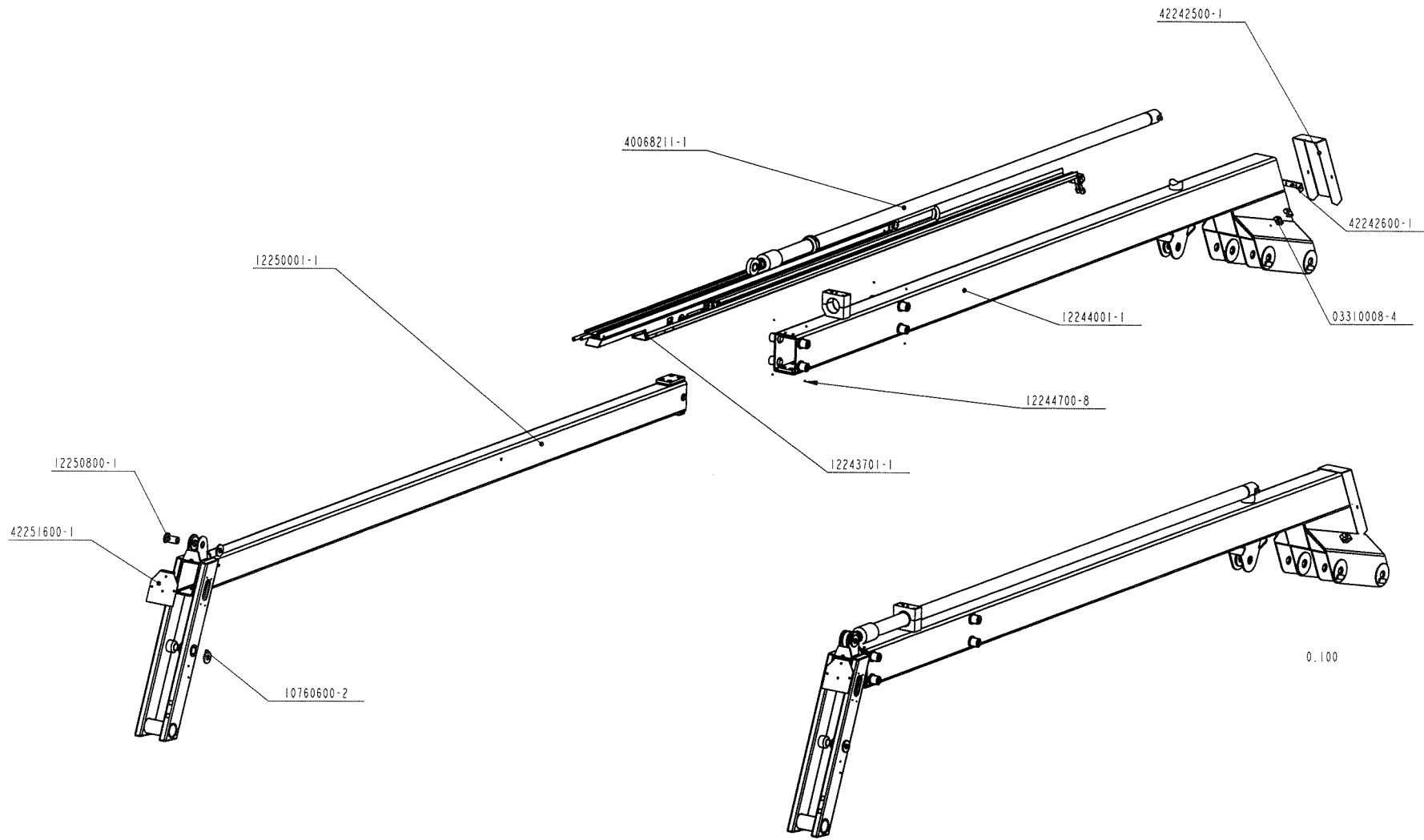
May not be copied or used without authorization by DENKA LIFT A/S	Tolerances if not otherwise indicated	<b>DENKA-LIFT</b>	Format 0.200	Supersedes drag. no.
	Weight in kg 97.098	Højvang 5, DK-4300 Holbæk - Phone +45 59455500 Fax +45 59442155	Scale A2	Superseded by drag. no.
	Sheet 1	Approved by DK8JR12	Drawn by MFM 26-Apr-00	
	Total sheets 1	Rør 1 monteret	Drawing no.	
		Auslegerrohr 1, montiert	12345401	



May not be copied or used without authorization by DENKA LIFT A/S	Tolerances if not otherwise indicated	<b>DENKA LIFT</b>  Højvang 5, DK-4300 Holbæk - Phone +45 59455500 Fax +45 59442155	Formel	Supersedes drwg. no.
	Weight in kg.		0_300	Scale
	61.892	DK8JR12	Approved by	
	Sheet	Rør 2 monteret	Drawn by	MFM 27-Apr-00
	1	Boom tube 2, mounted	Drawing no.	
Total sheets	Auslegerrohr 1, montiert		12345501	
2				

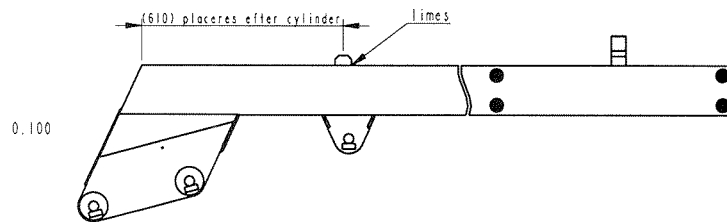
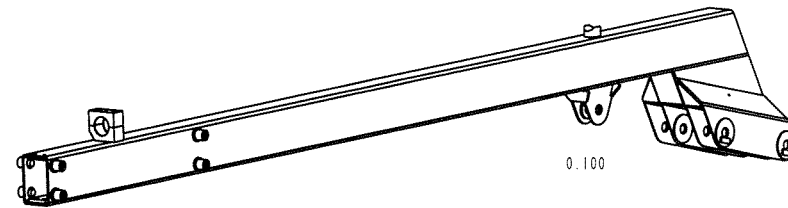
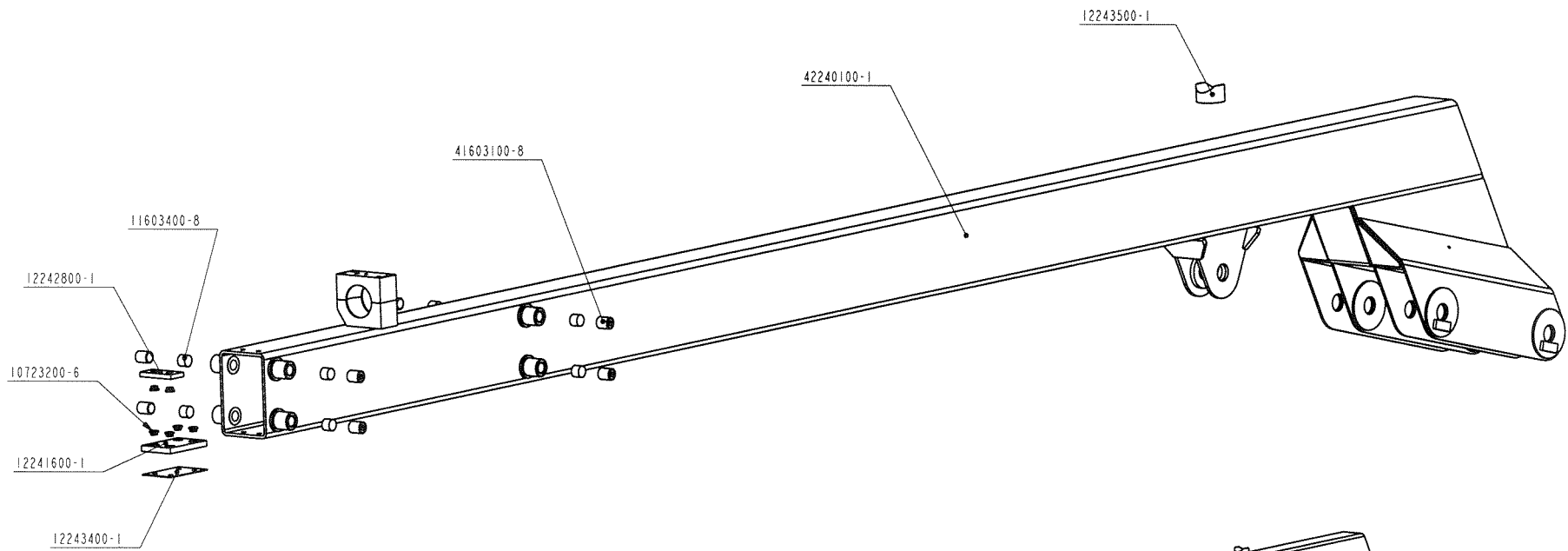


May not be copied or used without authorization by DENKA LIFT A/S	Tolerances if not otherwise indicated	<b>DENKA-LIFT</b>	Format 0.400	Supersedes drag. no.
	Weight in kg.	Højvang 5, DK-4300 Holbæk - Phone +45 59455500 Fax +45 59442155	Scale A2	Supersedes by drag. no.
	8.660	DK8JR12	Approved by	
	Sheet 1	Kabelføring, samlet	Drawn by MEM 27-Apr-00	
	Total sheets 2	Cabling, mounted Kabelføring, gesammelt	Drawing no. 12345601	



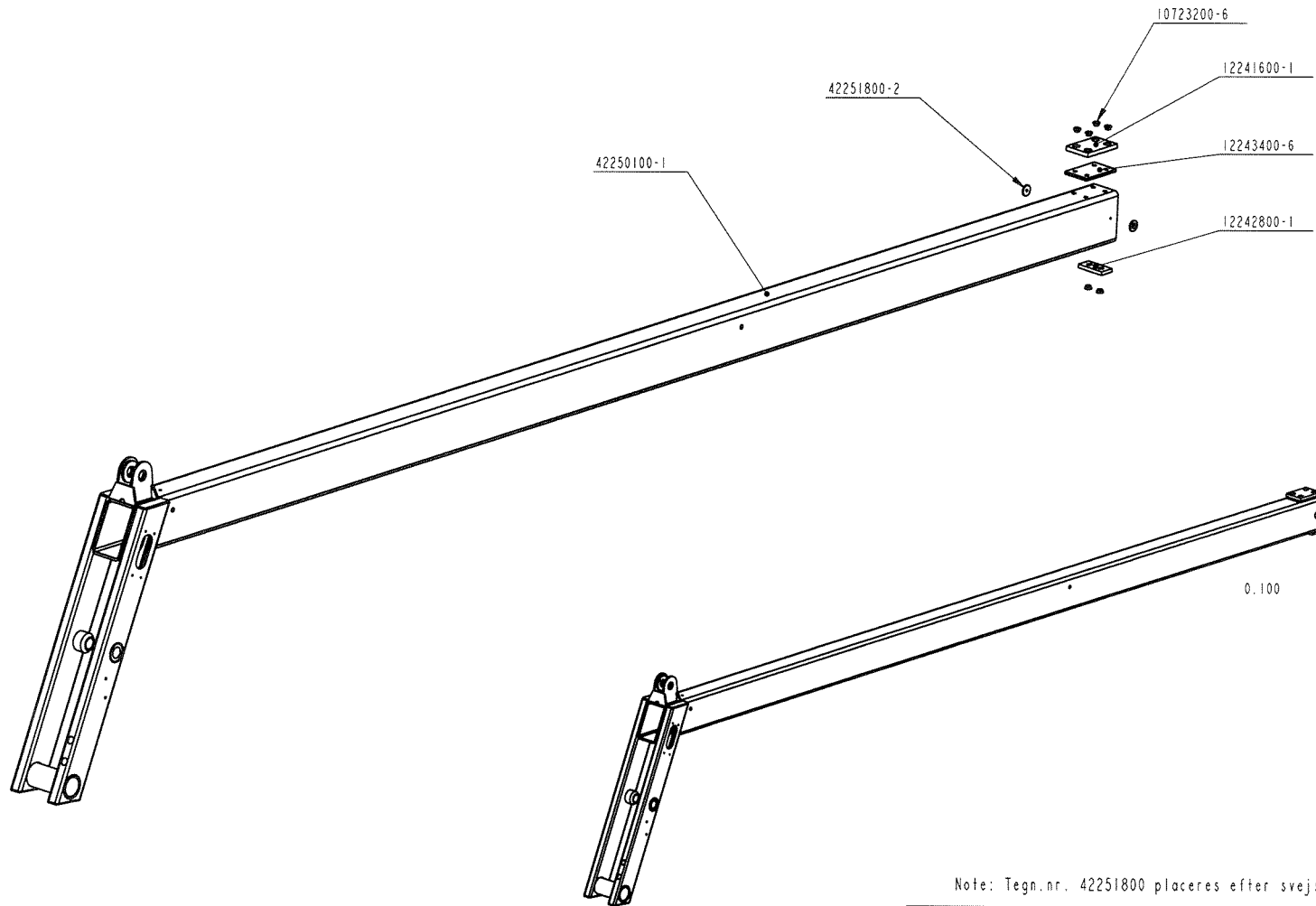
0.100

May not be copied or used without authorized by DENKA LIFT A/S	Tolerances of not otherwise indicated	<b>DENKA-LIFT</b>	Format 0.100	Supersedes drawing no.
	Weight in kg. 7850.000		Scale A2	Superseded by drawing no.
	Sheet 1	Approved by DK8JR10	Drawn by HO 04-Apr-00	Drawing no.
	Total sheets 1	Boom	Ausleger	12341501
		Boom		




Rev. A Tegnet op i pro		01-Sep-00	H0
May not be copied or used without authorization by DENKA LIFT A/S	Tolerances if not otherwise indicated	<b>DENKA-LIFT</b>	
	Weight in kg.	7850.000	Format 0.200 Scale A2 Supersedes drawing no.
	Sheet	1	Approved by Drawn by H0 01-Sep-00
	Total sheets	1	Drawing no.
	Auslegerrohr 1, montiert		12244001

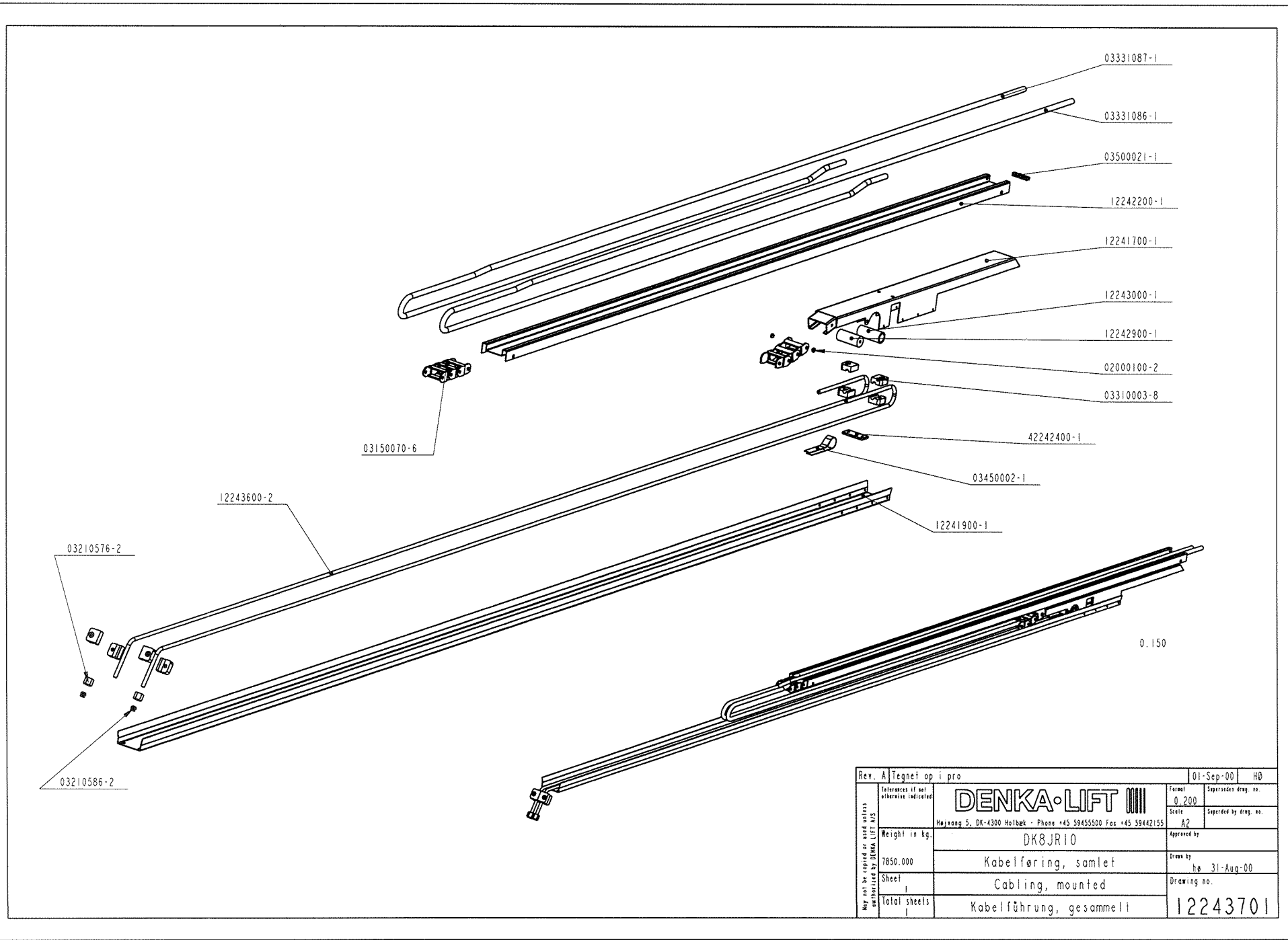
8	Stift
7	Propp
6	Linsp
5	Juste
4	Glide
3	Gevis
2	Bomrø
1	



Note: Tegn.nr. 42251800 placeres efter svejsesøm på bomrør i.

Rev. A	Tegnet op i pro	31-Aug-00	HØ
Tolerances if not otherwise indicated	<b>DENKA-LIFT</b> 	Format	Supersedes drawing no.
		0.150	
May not be copied or used unless authorized by DENKA LIFT A/S	Højvang 5, DK-4300 Holbæk - Phone +45 59455500 Fax +45 59442155	Scale	Supersedes by drawing no.
		A2	
Weight in kg.	DKØJR10	Approved by	
57.312	Bomrør 2, monteret	Drawn by	
Sheet	Boom tube 2, mounted	HØ 31-Aug-00	
Total sheets	Auslegerrohr 2, montiert	Drawing no.	
1		12250001	

6	Linsp
5	Glides
4	Geni
3	Bomrø
2	
1	



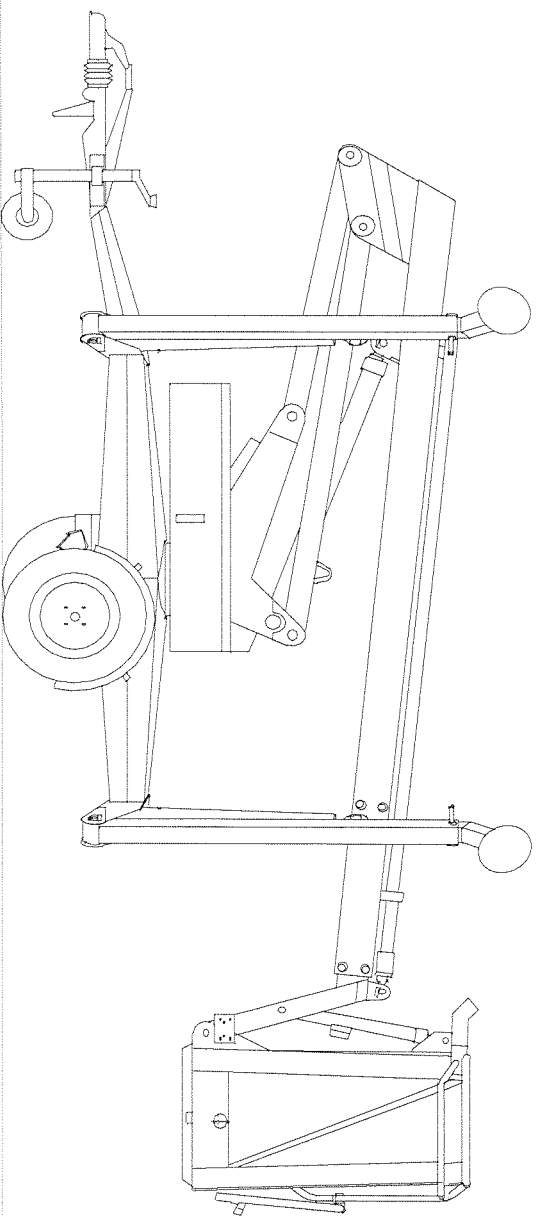
Rev. A Tegnet af i pro		01-Sep-00	HØ
May not be copied or used unless authorized by DENKA LIFT A/S	Tolerances if not otherwise indicated	<b>DENKA-LIFT</b>	Format 0.200
	Weight in kg. 7850.000	Højvang 5, DK-4300 Holbæk - Phone +45 59455500 Fax +45 59442155	Scale A2
	Sheet 1	DK8JR10	Superseded by drwg. no. Superseded by drwg. no.
	Total sheets 1	Kabelføring, samlet Cabling, mounted Kabelführung, gesammelt	Approved by Drawn by HØ 31-Aug-00 Drawing no. <b>12243701</b>

16	TE./L
15	TE./L
14	skæb
13	Rørko
12	Rulle
11	Presm
10	Ømløb
9	Låseb
8	Kobell
7	Igas
6	Hydr.
5	Genin
4	Aktu r.
3	
2	
1	

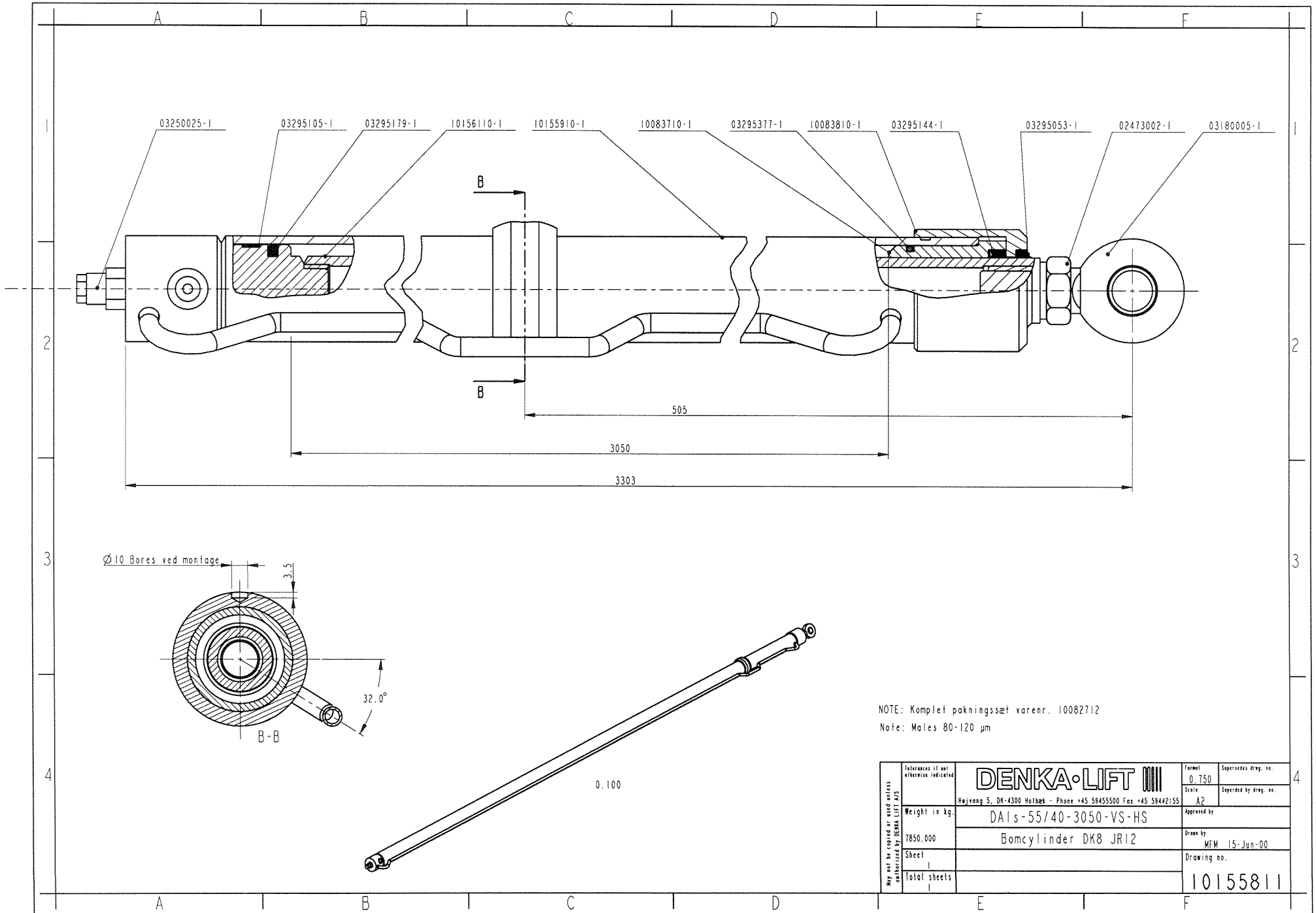




**RESERVEDELS-  
KATALOG  
SPARE PARTS  
CATALOGUE  
ERSATZTEILS-  
KATALOG**



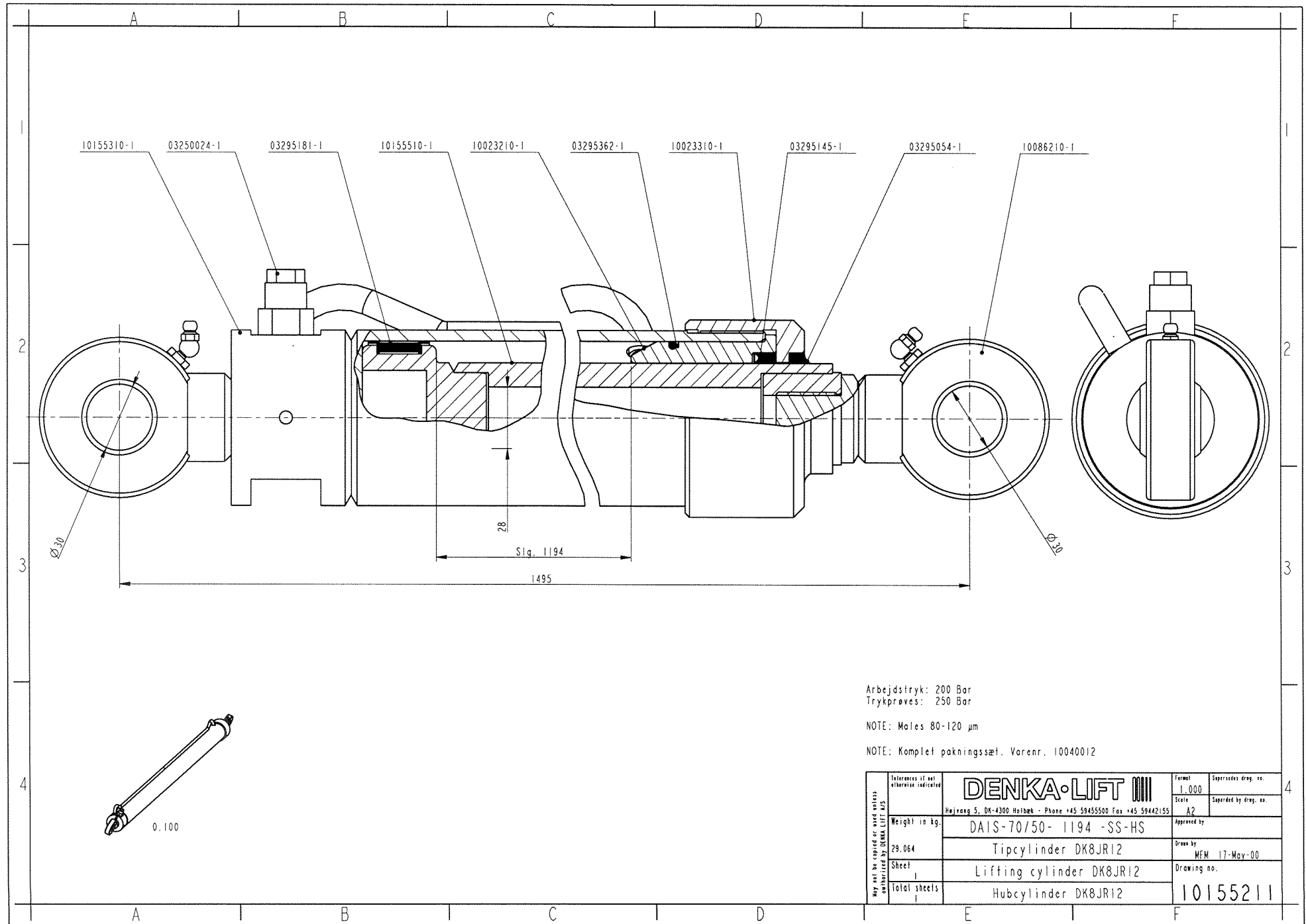
**CYLINDER  
ZYLINDER**



NOTE: Komplet pakningsæt varenr. 10082712

Note: Males 80-120 µm

May not be copied or used without authorization by DENKA LIFT A/S	Tolerances if not otherwise indicated	<b>DENKA-LIFT</b>	Formel 0.750	Supersedes drag. no.
	Weight in kg. 7850.000	Højvang 5, DK-4300 Holbæk - Phone +45 59455500 Fax +45 59442155	Scale A2	Supersedes by drag. no.
	Sheet 1	DA1s-55/40-3050-VS-HS	Approved by	
	Total sheets 1	Bomcylinder DK8 JR12	Drawn by MEM 15-Jun-00	
			Drawing no. <b>10155811</b>	

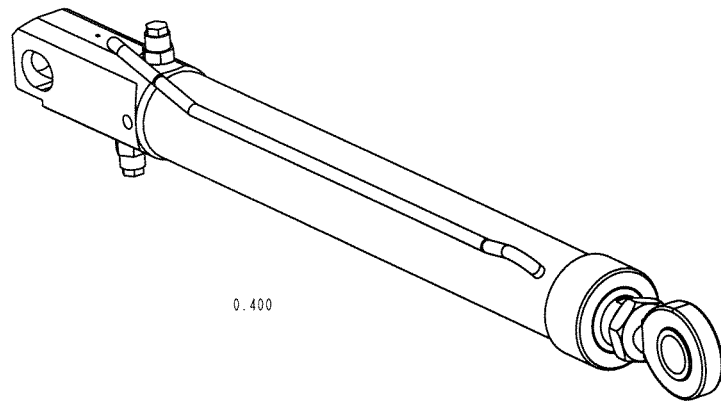
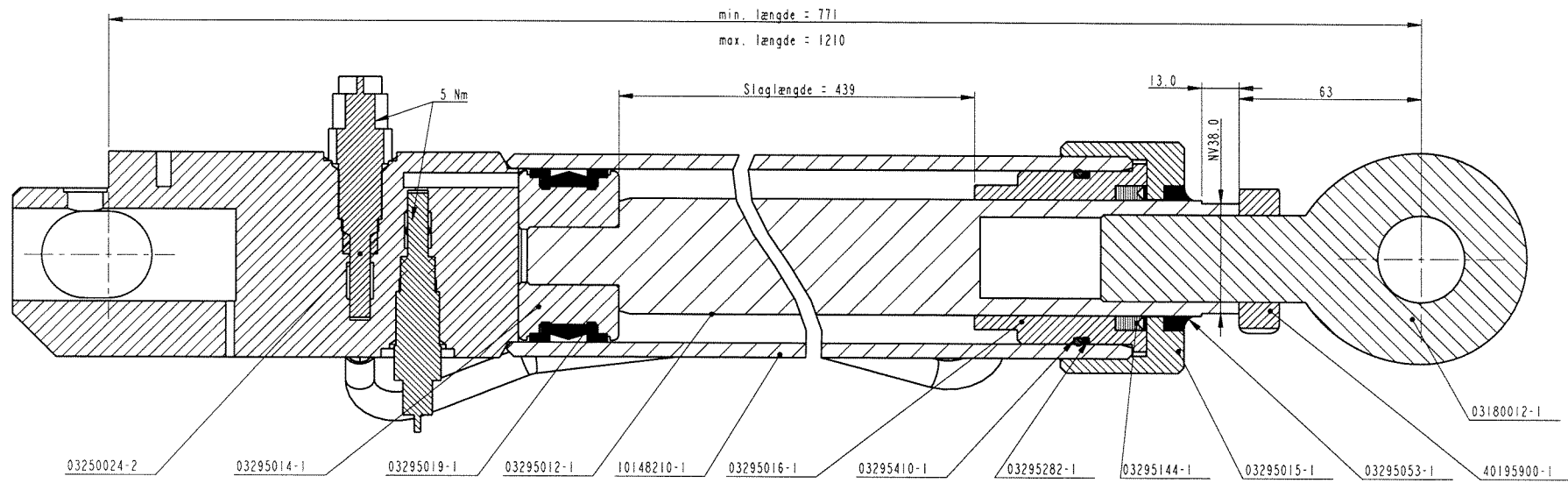


Arbejdstryk: 200 Bar  
 Trykprøves: 250 Bar

NOTE: Males 80-120 µm

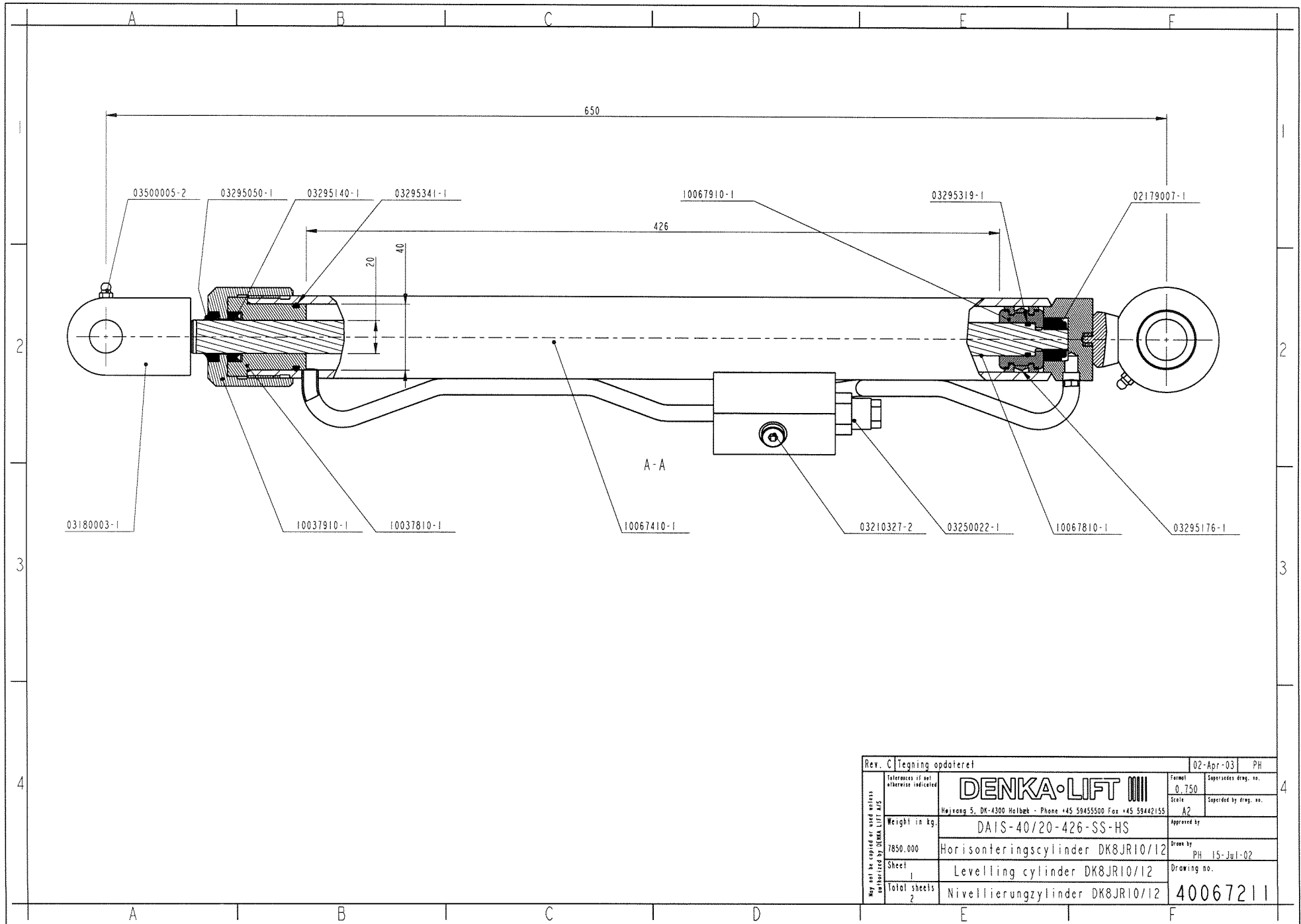
NOTE: Komplet pakningsæt. Varenr. 10040012


May not be copied or used unless authorized by DENKA LIFT A/S	Tolerances if not otherwise indicated	<b>DENKA-LIFT</b>		Format 1.000	Supersedes drawing no.
	Weight in kg. 29.064	Højvang 5, DK-4300 Holbæk - Phone +45 59455500 Fax +45 59442155		Scale A2	Superseded by drawing no.
	Sheet 1	Approved by DAIS-70/50-1194-SS-HS		Drawn by MFM 17-May-00	
	Total sheets 1	Drawing no. Tipcylinder DK8JR12		Drawing no. 10155211	
		Hubcylinder DK8JR12			

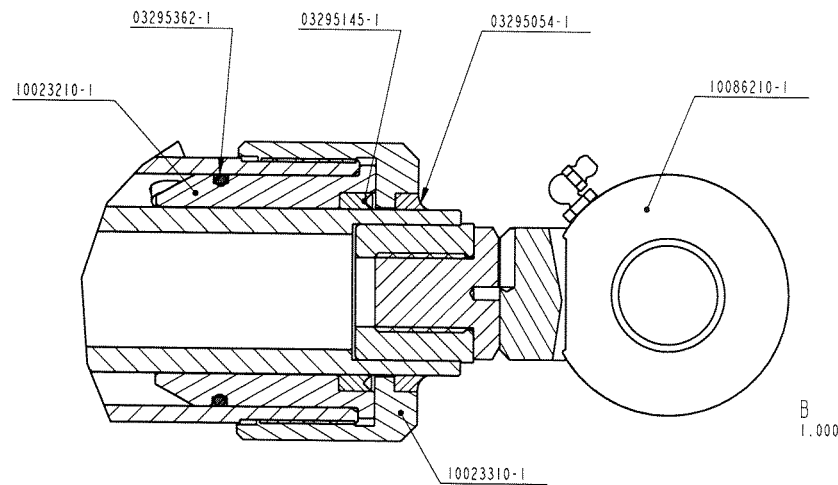
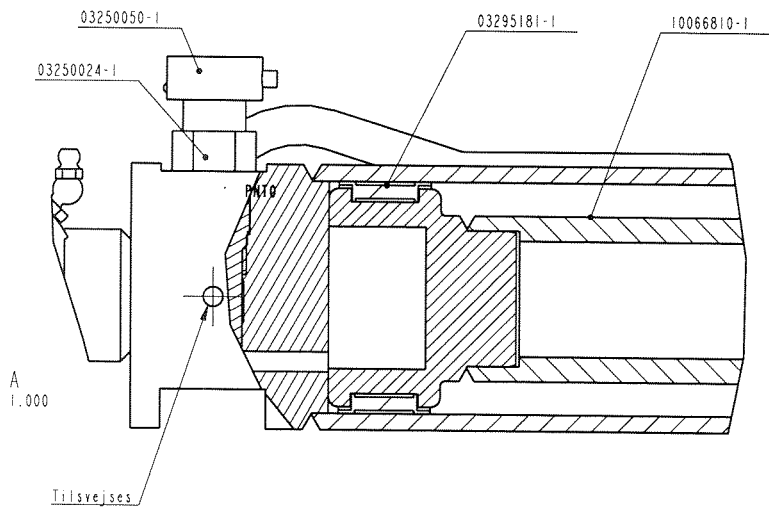
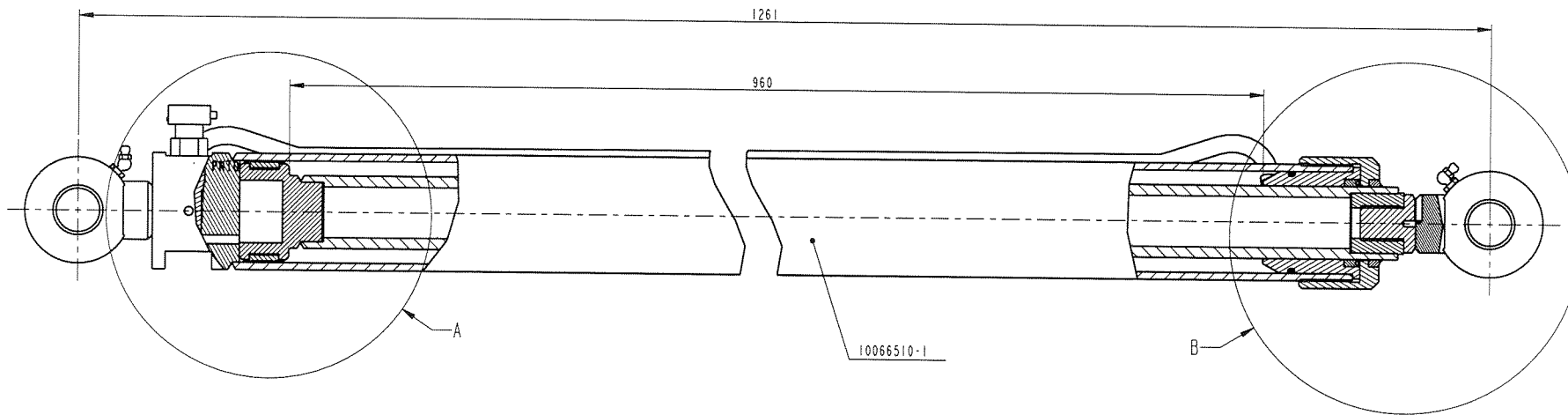


Note: Males 80-120 µm  
Arbejdstryk: 200 Bar  
Trykprøves: 250 Bar

May not be copied or used without authorization by DENKA LIFT A/S	Tolerances if not otherwise indicated	<b>DENKA LIFT</b>	Format 1.000	Supersedes drawing no.
	Weight in kg. 15.474	Højvang 5, DK-4300 Holbæk - Phone +45 59455500 Fax +45 59442155	Scale A2	Superseded by drawing no.
	Sheet 1	DK8	Approved by	Drawn by HO 08-Aug-00
	Total sheets 1	Støttebenylinder samlet Outriggercylinder mounted Stützbeincylinder montiert	Drawing no. 40148111	



Rev. C   Tegning opdateret		02-Apr-03	PH
May not be copied or used without authorized by DENKA LIFT A/S	Tolerances if not otherwise indicated	<b>DENKA LIFT</b> 	
	Weight in kg:	7850.000	Formel: 0.750 Scale: A2 Supersedes drwg. no. Supersedes by drwg. no.
	Sheet:	1	Approved by:
	Total sheets:	2	Drawn by:
			PH 15-Jul-02
		Drawing no.	40067211

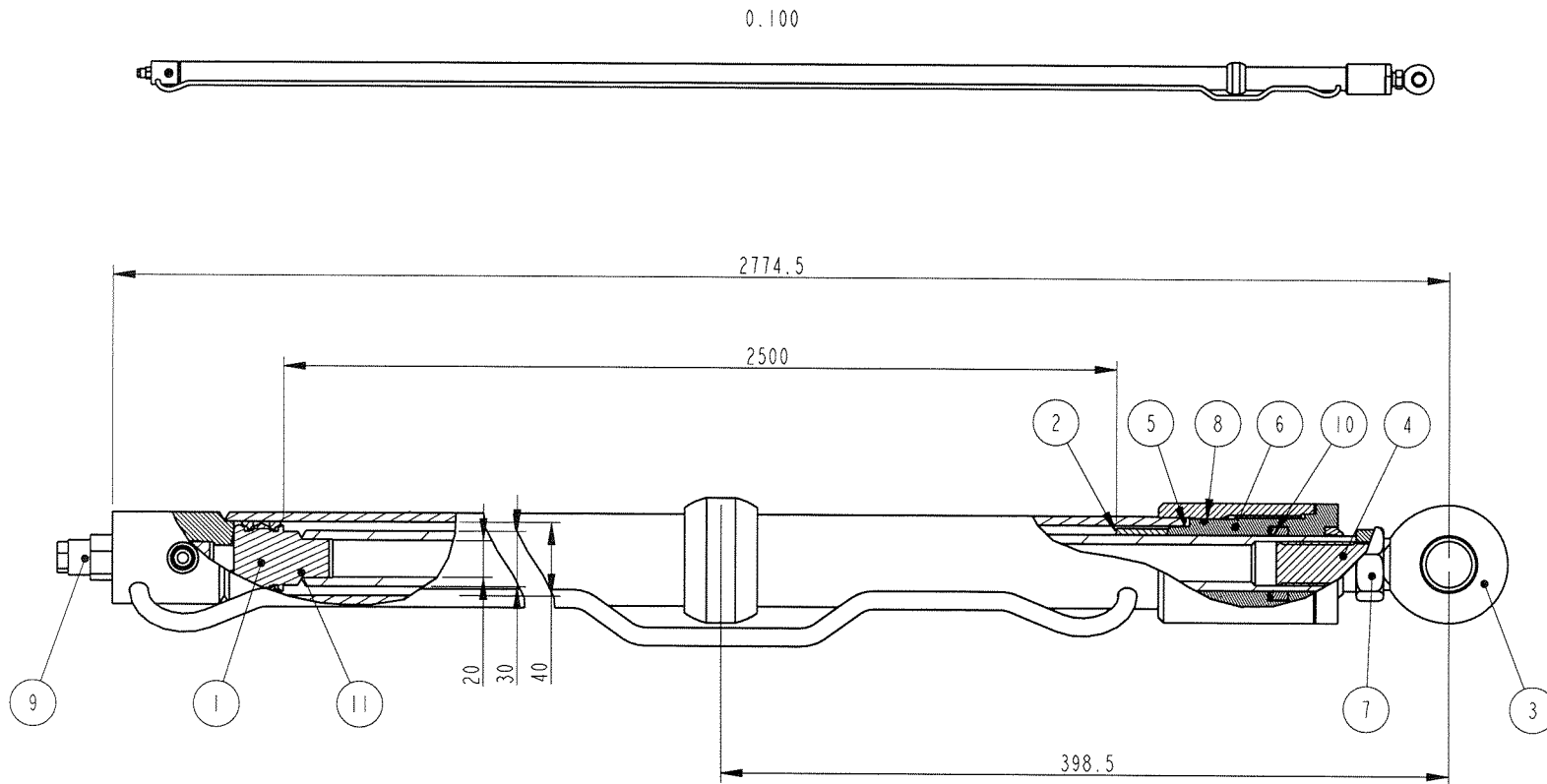


Note: Males 80-120 µm

Note: Komplet pakningsæt (03295181, 03295145, 03295362, 03295054) Varenr. 10040012


Rev. C Tegnet op i pro		12-Sep-00	HQ
Tolerances if not otherwise indicated	<b>DENKA-LIFT</b>	Format 0.500	Supersedes drawing no.
Weight in kg. 25.012	Højvang 5, DK-4300 Højbæk - Phone +45 59455500 Fax +45 59442155	Scale A2	Supersedes by drawing no.
Sheet 1	DAIS-70/50-960-SS-HS	Approved by	
Total sheets 1	Tipcyylinder DK8JR10	Drawn by HQ 12-Sep-00	
	Tippling cylinder	Drawing no.	
	Kippcyylinder	40066311	

Rev. C
11 Skæp
10 PAKNI
9 PAKN
8 OVERC
7 OmTab
6 o-rin
5 Hædte
4 Gærin
3 Forin
2 Cylin
1



Note: Males 80-120  $\mu$ m

Note: Komplet pakningssæt pos. 1-4, varenummer 10068212

Rev. D Tegnet op i pro		30-Aug-00	HØ
May not be copied or used unless authorized by DENKA LIFT A/S	Tolerances if not otherwise indicated	<b>DENKA-LIFT</b> 	
	Weight in kg.	Scale	Supersedes drwg. no.
		0.400	Supersedes by drwg. no.
	7850.000	Format	Approved by
A3		Drawn by	
	DAIS-40/30-2500-VS-HS		HØ 29-Aug-00
	Bomcylinder, DK8JR10		Drawing no.
			40068211

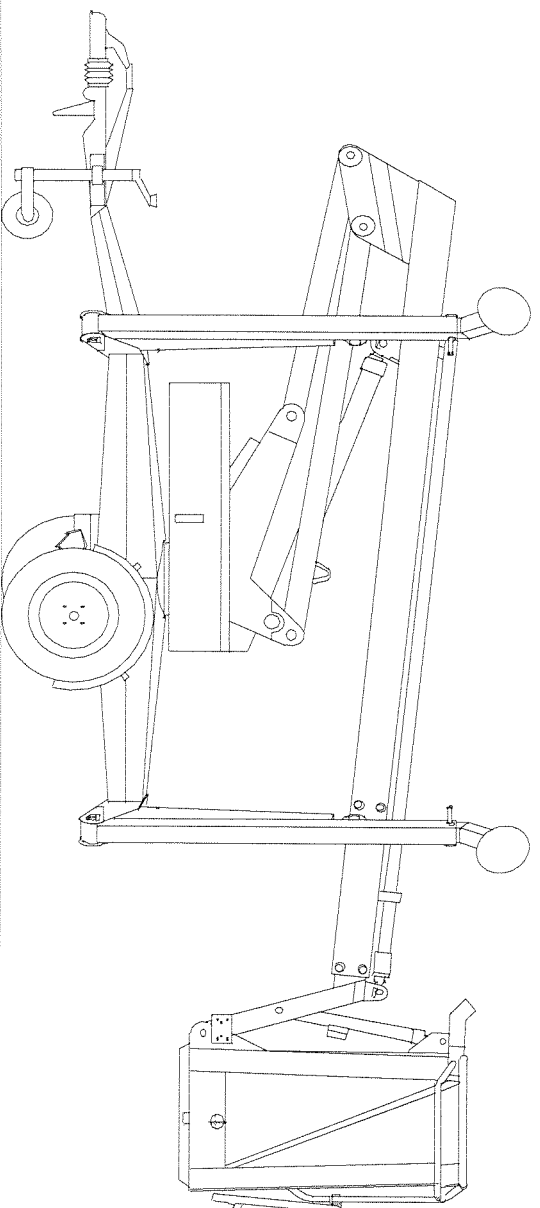




**RESERVEDELS-  
KATALOG**

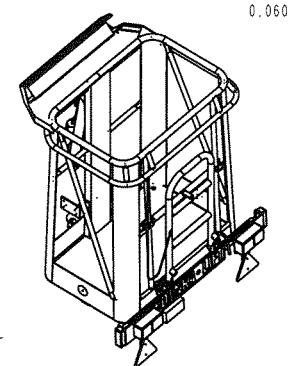
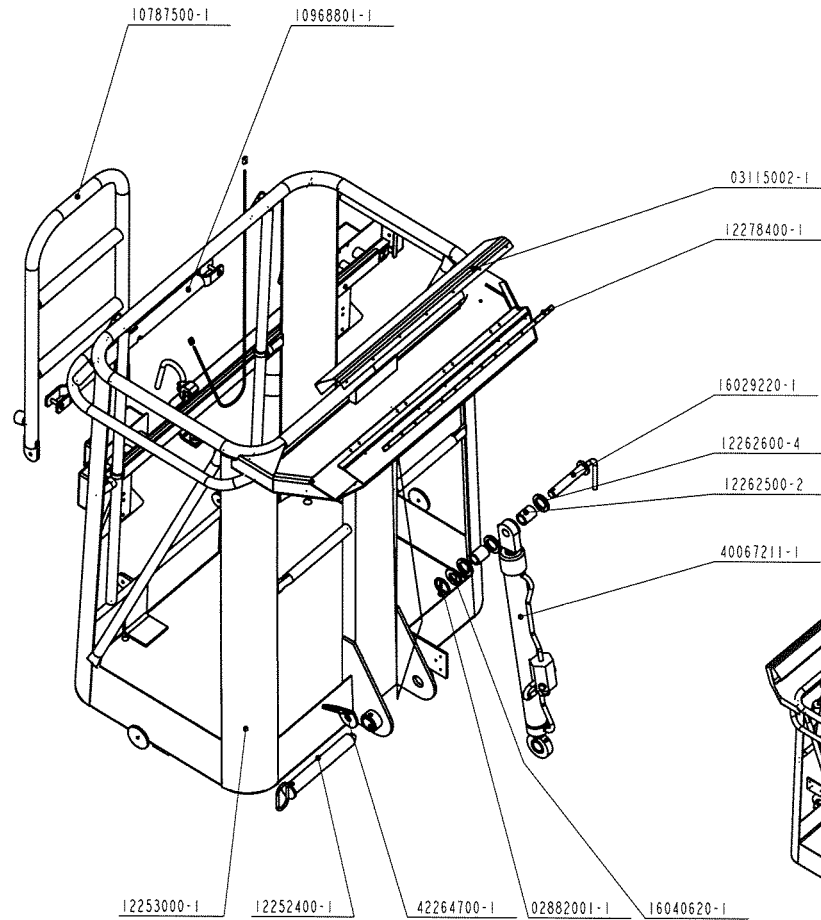
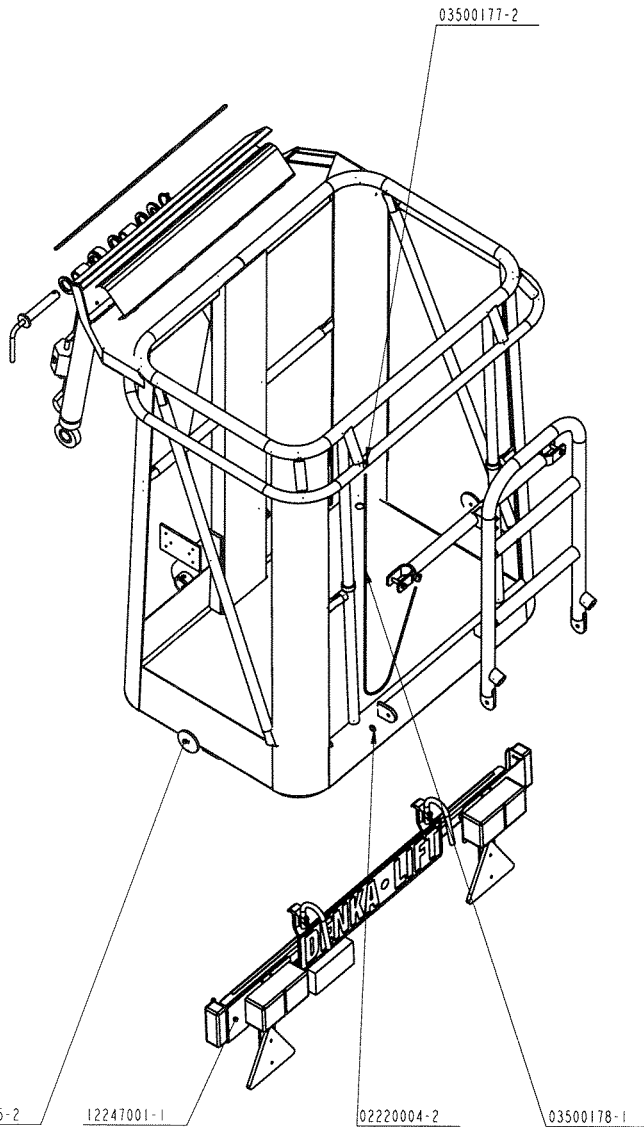
**SPARE PARTS  
CATALOGUE**


**ERSATZTEILS-  
KATALOG**

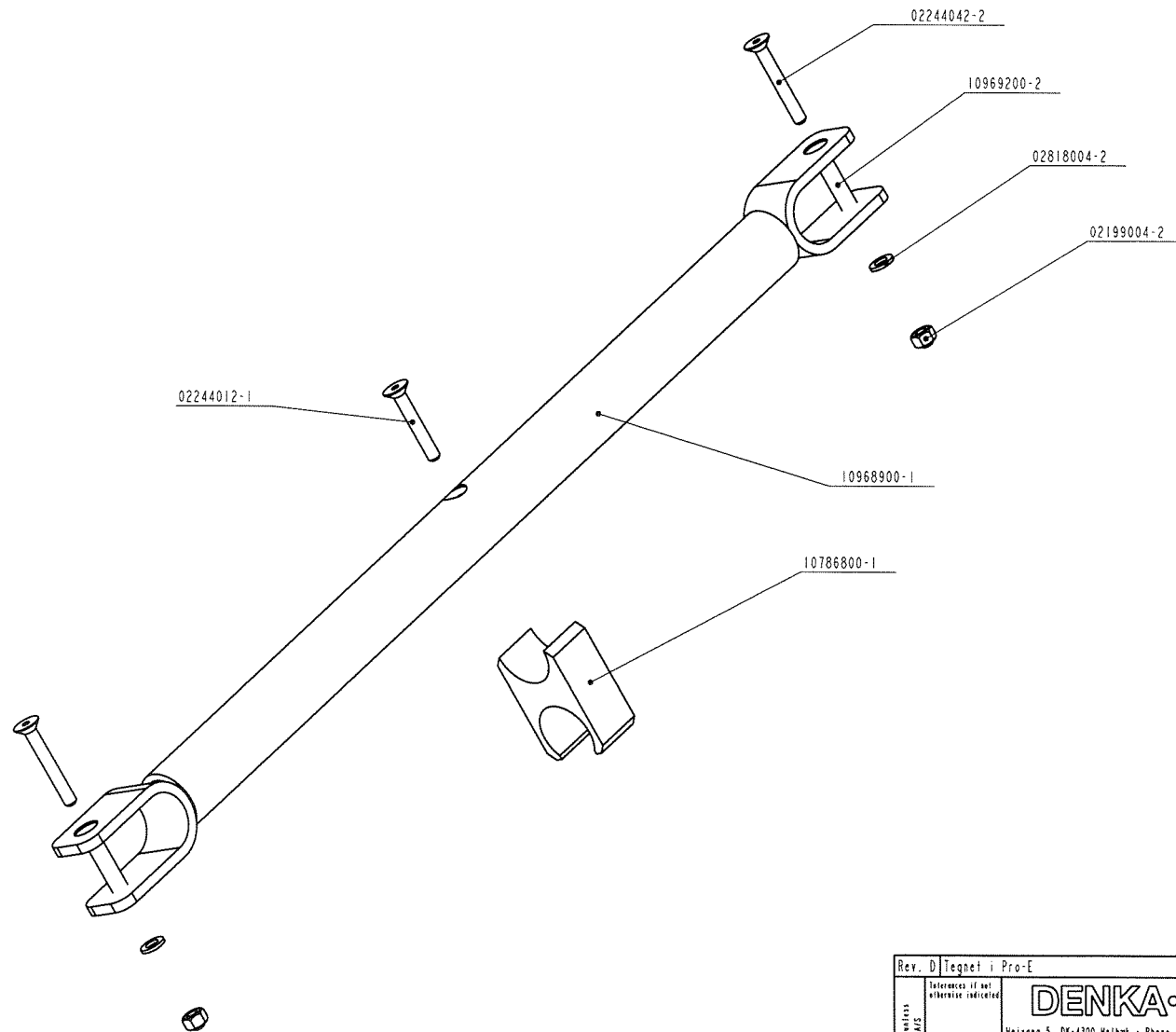



**KURV  
BASKET  
KORB**

Version – 07.2004

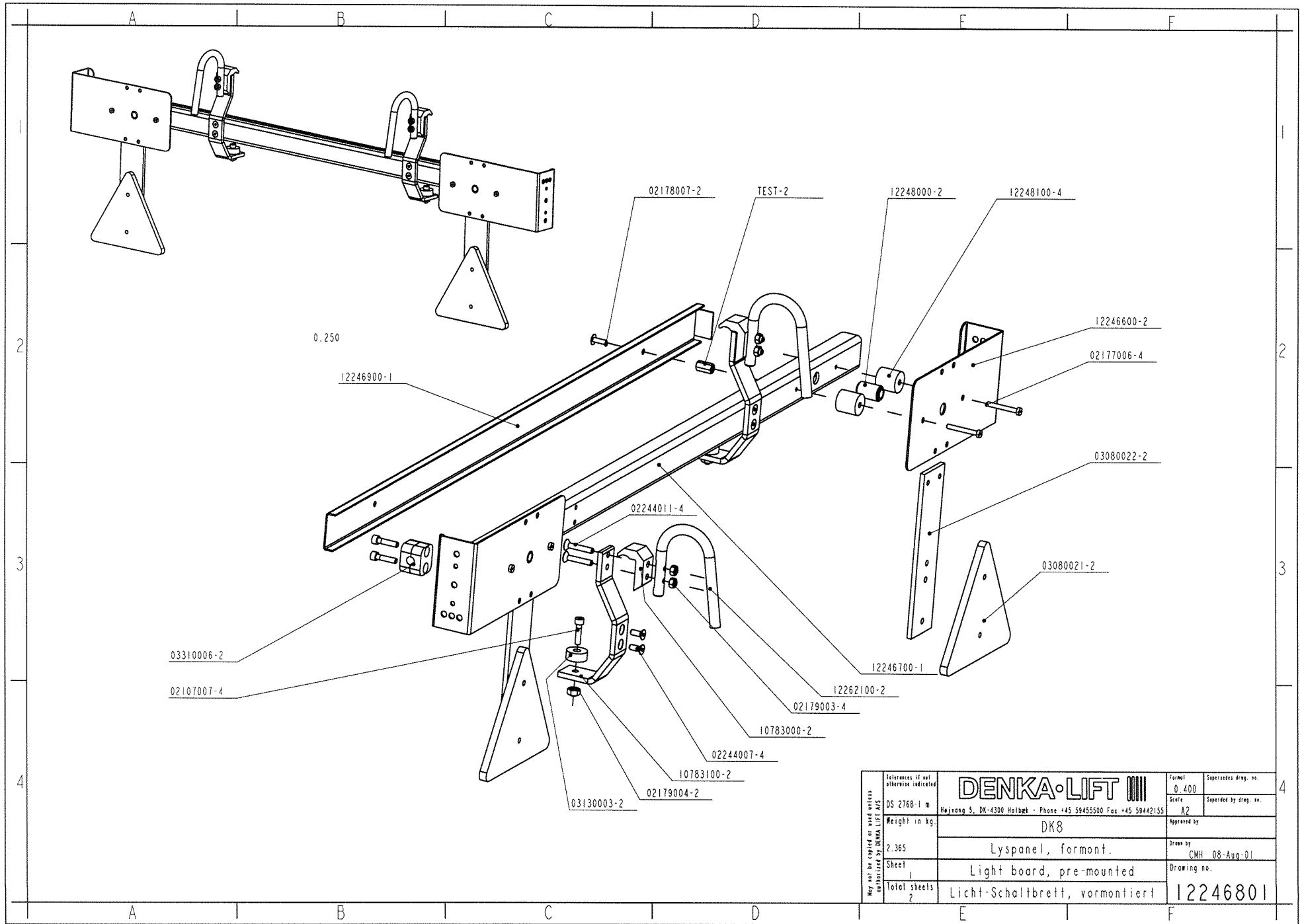


May not be copied or used without authorization by DENKA LIFT A/S	Tolerances if not otherwise indicated	<b>DENKA LIFT</b> 	Formel	Supersedes drawing no.
			0.130	Superseded by drawing no.
	Weight in kg.	Højryng 5, DK-4300 Holbæk - Phone +45 59455500 Fax +45 59442155	Scale	A2
	7850.000	900mm Taro kurv	Approved by	
	Sheet	Kurv monteret	Drawn by	H0 03-Apr-00
1	Basket mounted	Drawing no.		
Total sheets	2	Korb montiert		12341701



Rev. D   Tegnet i Pro-E		25-Jan-01   SH	
May not be copied or used without authorization by DENKA LIFT A/S	Interferences of not otherwise indicated	<b>DENKA-LIFT</b> 	
	Weight in kg.	Højvang S. DK-4300 Holbæk - Phone +45 59455500 Fax +45 59442155	
	0.594	MK6	
	Sheet	Løge komplet, bred stige	
	Total sheets	Gate complete	
		Scale A2	Superseded drawing no. Exceeded by drawing no.
		Approved by	Drawing no. SH 25-Jan-01
		Drawn by	<b>10968801</b>
		Gatter komplett	





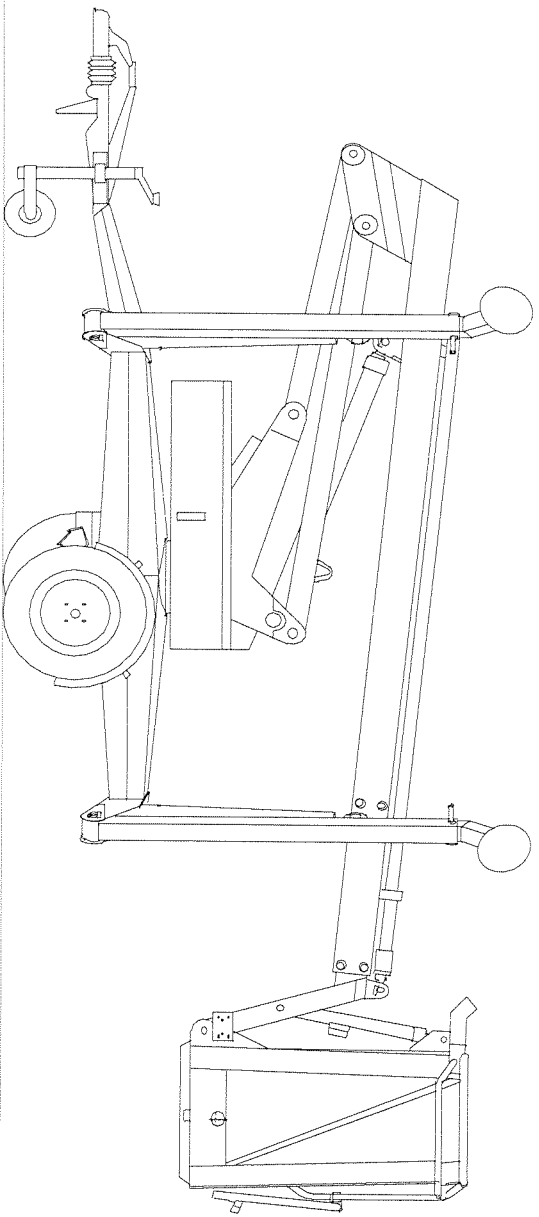
May not be copied or used without authorization by DENKA LIFT A/S	Dimensions if not otherwise indicated DS 2768-1 m	<b>DENKA-LIFT</b>		Format 0.400	Separated drawing no.
	Weight in kg. 2.365	Højvang S, DK-4300 Holbæk - Phone +45 59455500 Fax +45 59442155		Scale A2	Separated by drawing no.
	Sheet 1	DK8		Approved by	
	Total sheets 2	Lyspanel, formont.		Drawn by CMH 08-Aug-01	
		Light board, pre-mounted		Drawing no.	
	Licht-Schaltbrett, vormontiert		<b>12246801</b>		



**RESERVEDELS-  
KATALOG**

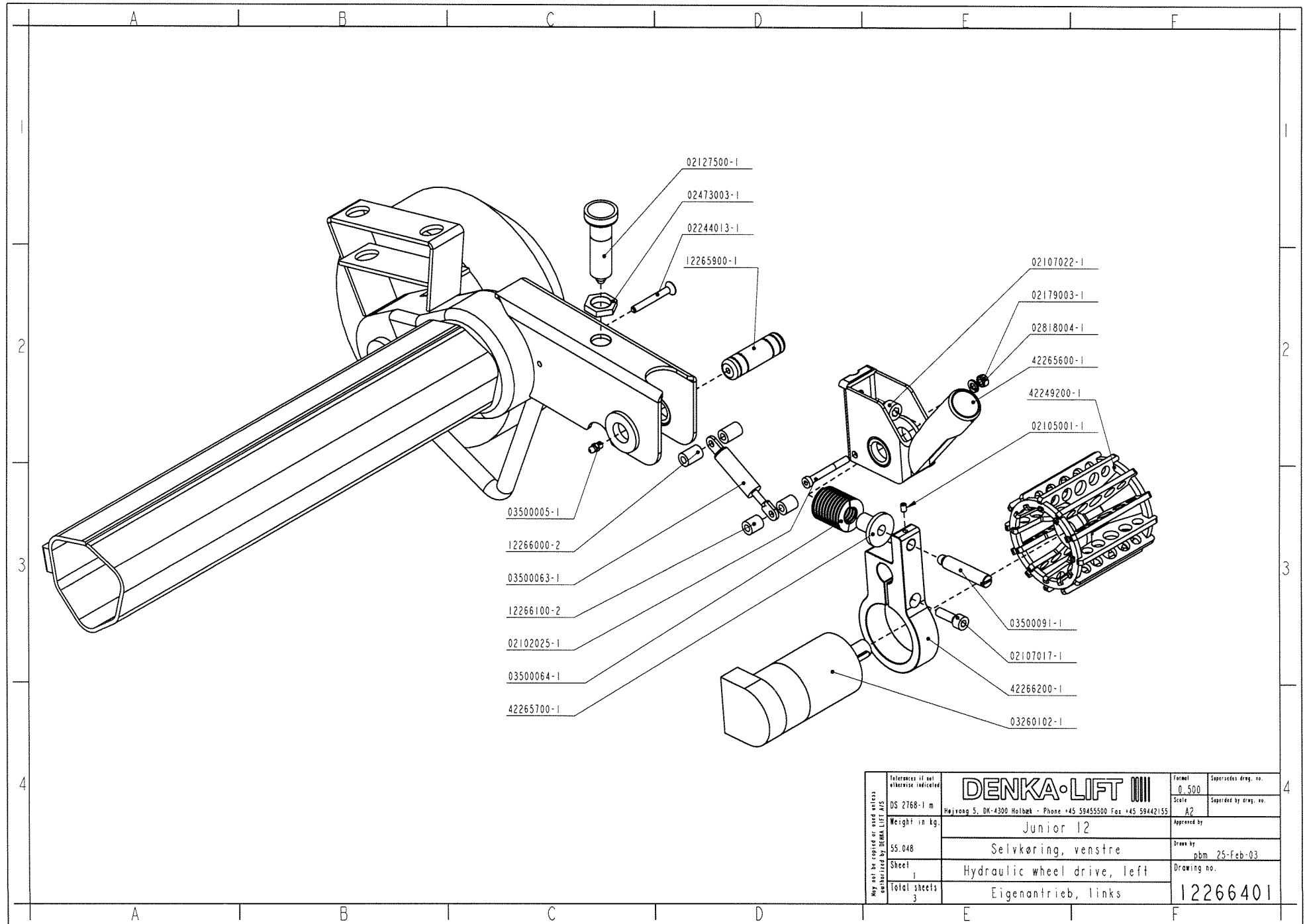
**SPARE PARTS  
CATALOGUE**

**ERSATZTEILS-  
KATALOG**



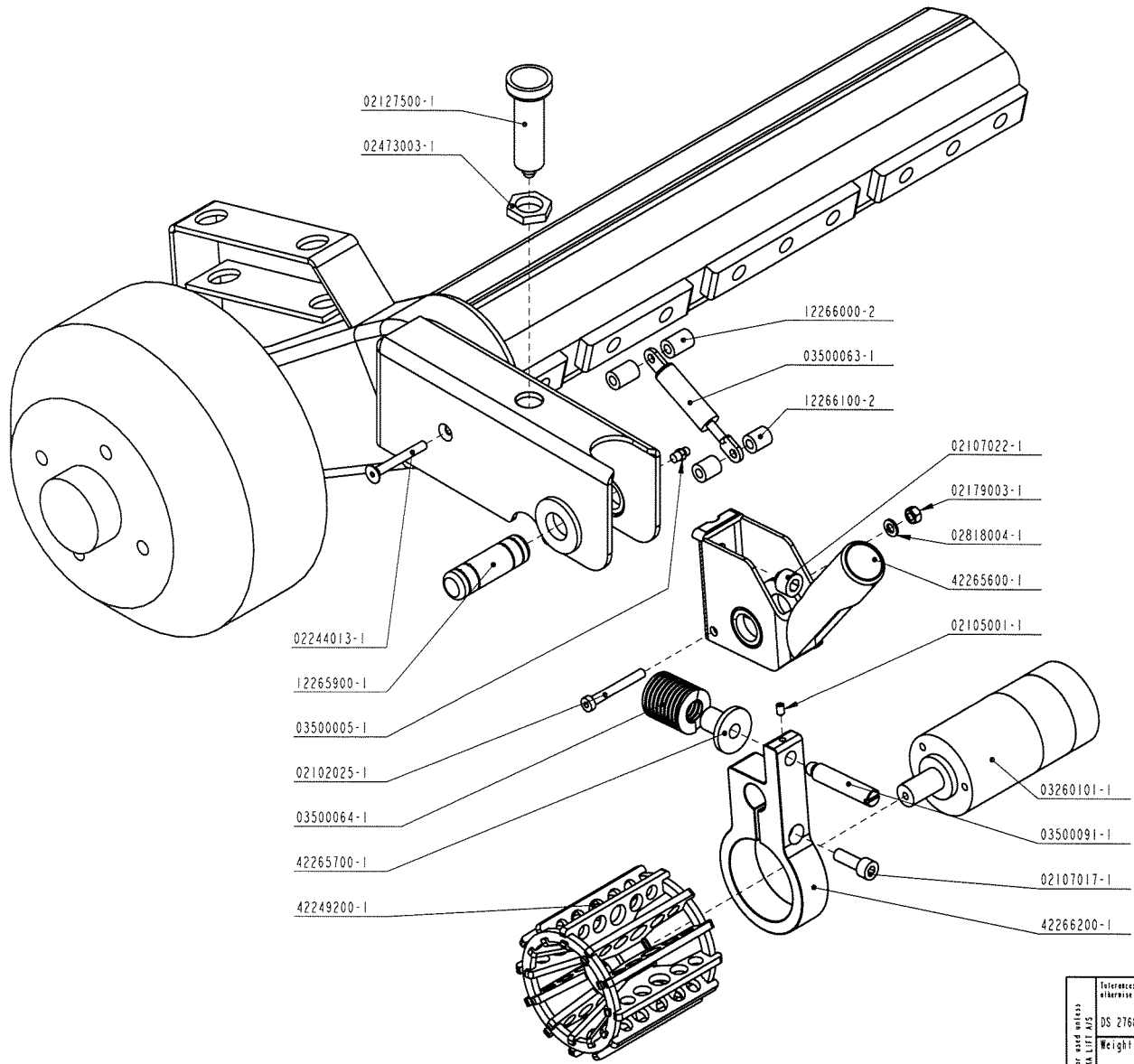
**EXTRA**

Version — 07.2004

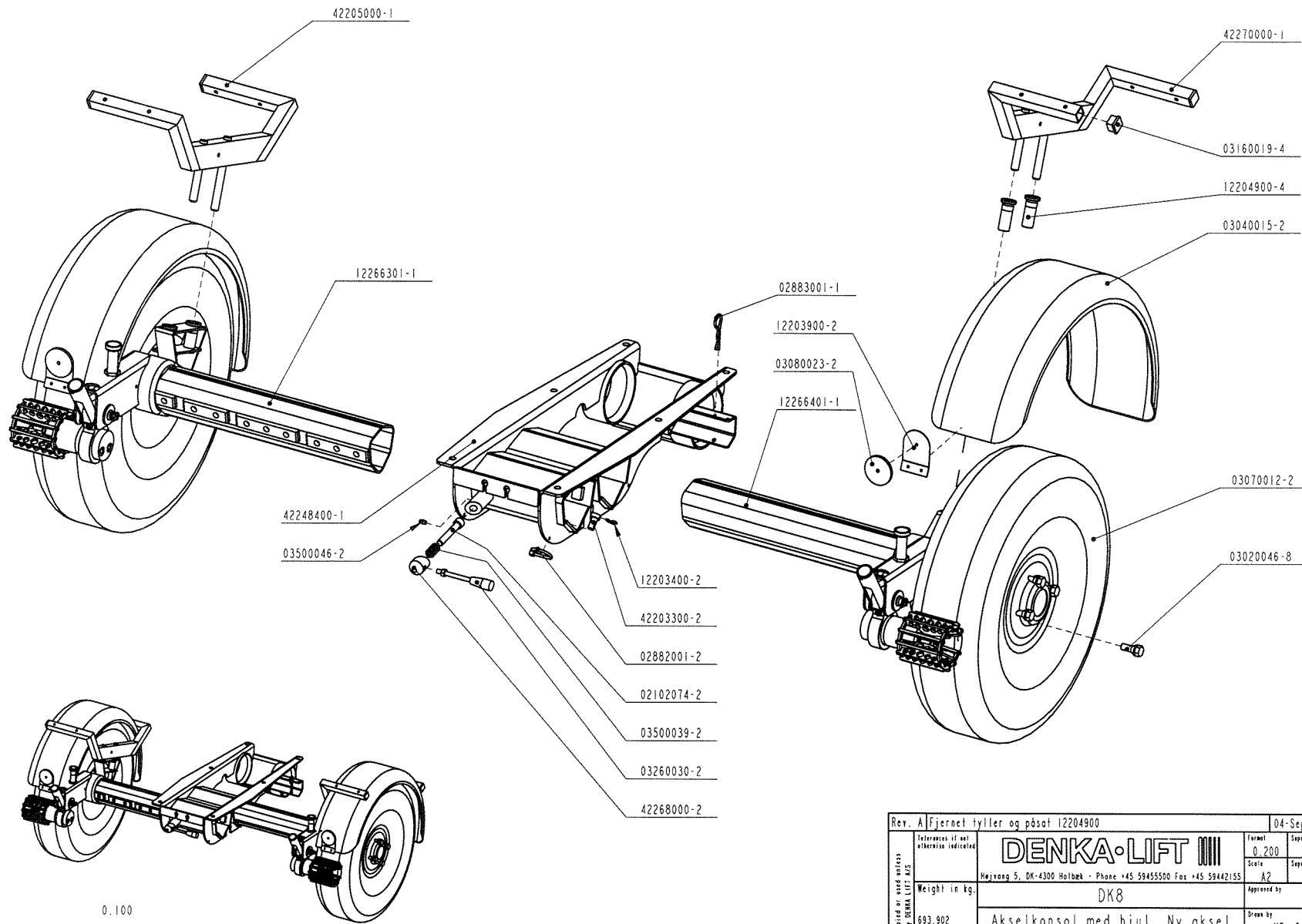


May not be copied or used without authorization by DENKA LIFT A/S	Dimension if not otherwise indicated DS 2768-1 m	<b>DENKA LIFT</b>	Format 0.500	Supersedes drawing no.
	Weight in kg. 55.048	Hejlsøng 5, DK-4300 Holbæk - Phone +45 59455500 Fax +45 59442155	Scale A2	Supersedes by drawing no.
	Sheet 1	Approved by Junior 12	Drawn by pbm 25-Feb-03	
	Total sheets 3	Selvkøring, venstre Hydraulisk hjuldriv, venstre	Drawing no. 12266401	
		Eigenantrieb, links		



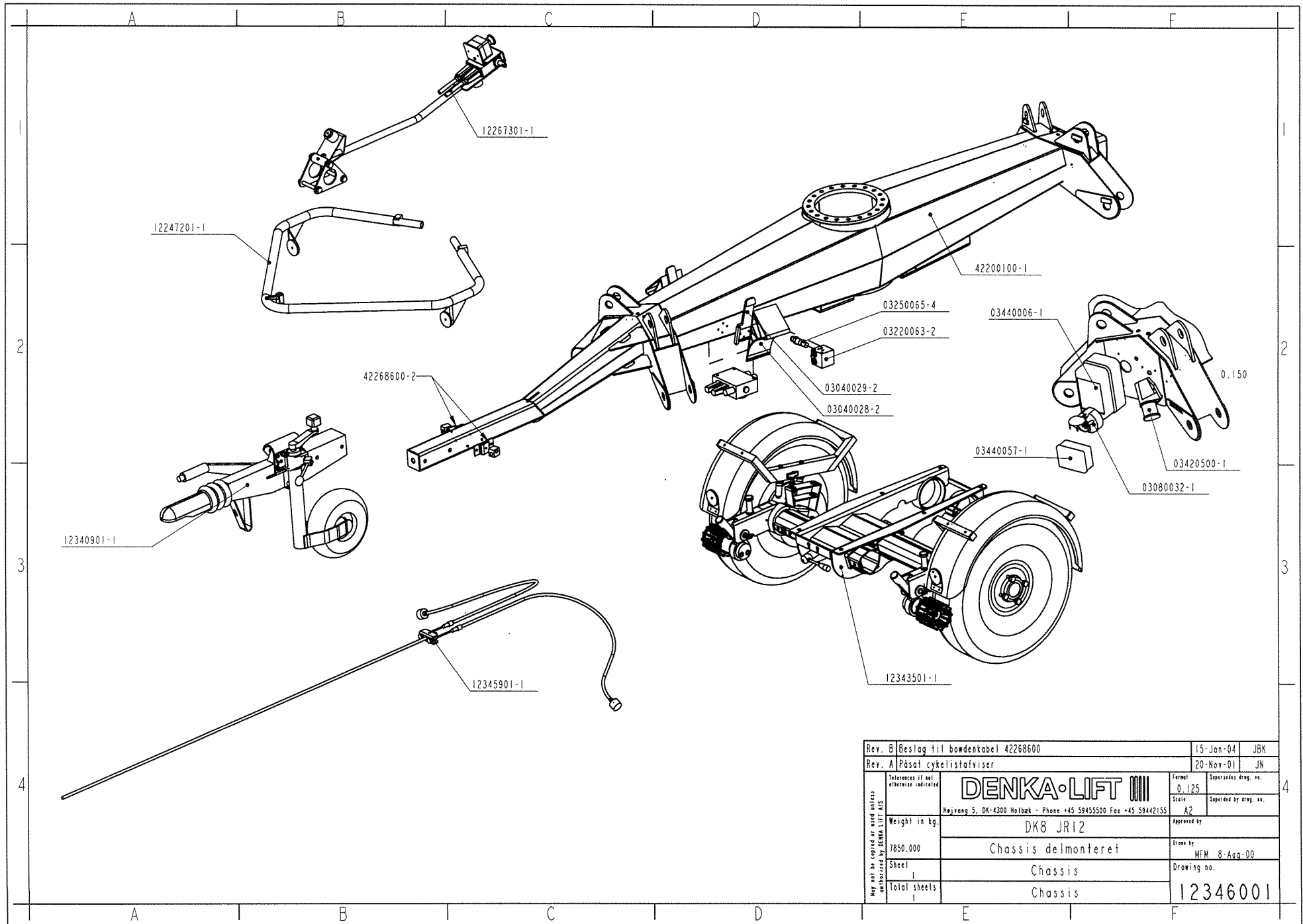


May not be copied or used without authorization by DENKA LIFT A/S	Tolerances if not otherwise indicated	<b>DENKA-LIFT</b>		Format 0.500	Supersedes drawing no.
	DS 2768-1 m	Højvang 5, DK-4300 Holbæk - Phone +45 59455500 Fax +45 59442155		Scale A2	Superseded by drawing no.
	Weight in kg.	Junior 12		Approved by	
	54,608	Selvkøring, højre		Drawn by pbm 25-feb-03	
	Sheet 1	Hydraulic wheel drive, right		Drawing no.	
Total sheets 3	Eigenantrieb, rechts		12266301		

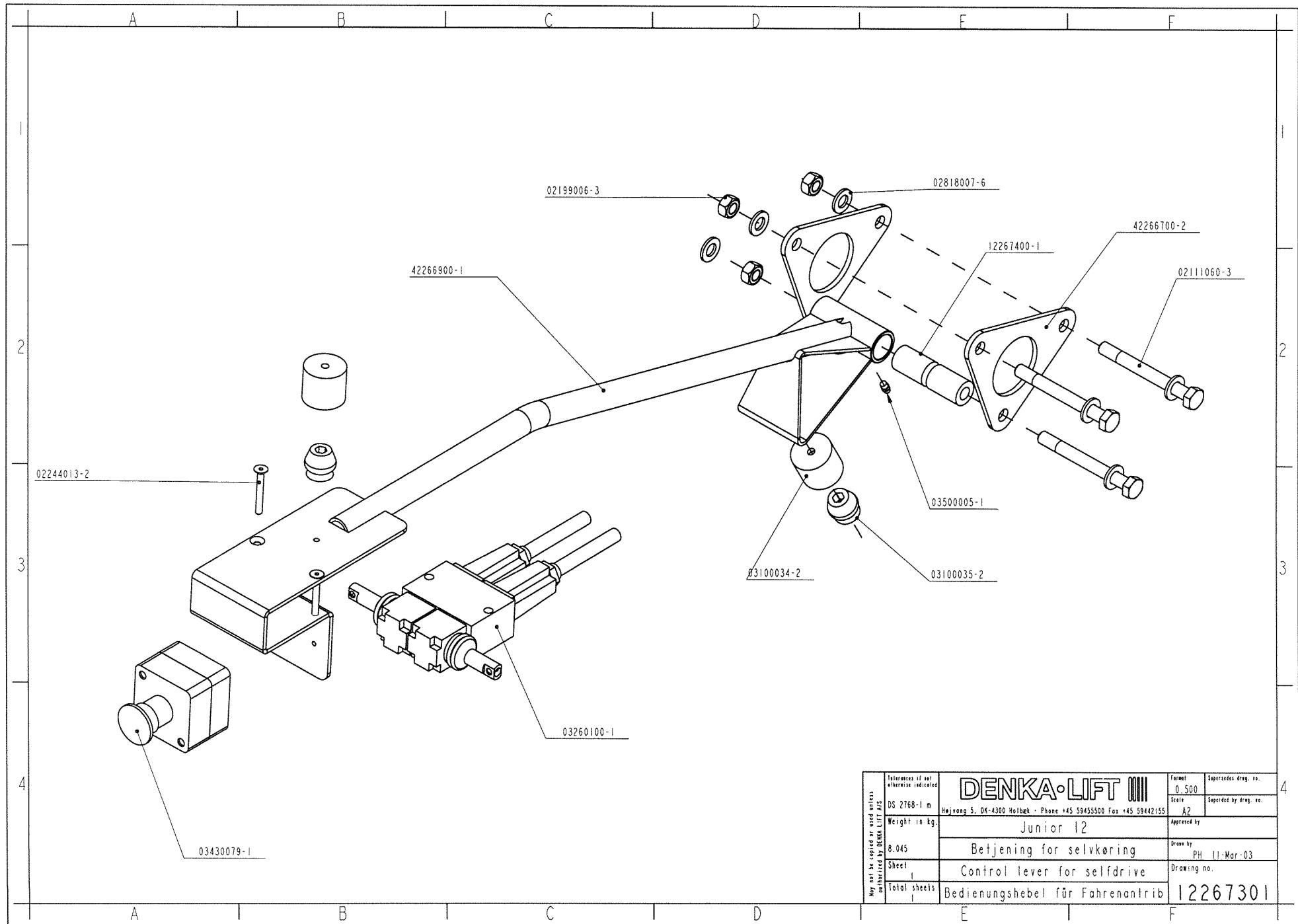


Rev. A Fjernet tyller og påsat 12204900		04-Sep-00	HØ
Tolerances if not otherwise indicated		Format	Separated drag. no.
<b>DENKA-LIFT</b> Højvang S, DK-4300 Holbæk · Phone +45 59455500 Fax +45 59442155		Scale	Separated by drag. no.
		Scale	A2
Weight in kg.		Approved by	
693.902		DK8	
Sheet		Drawn by	
1		HØ 31-Mar-00	
Total sheets		Drawing no.	
2		12343501	

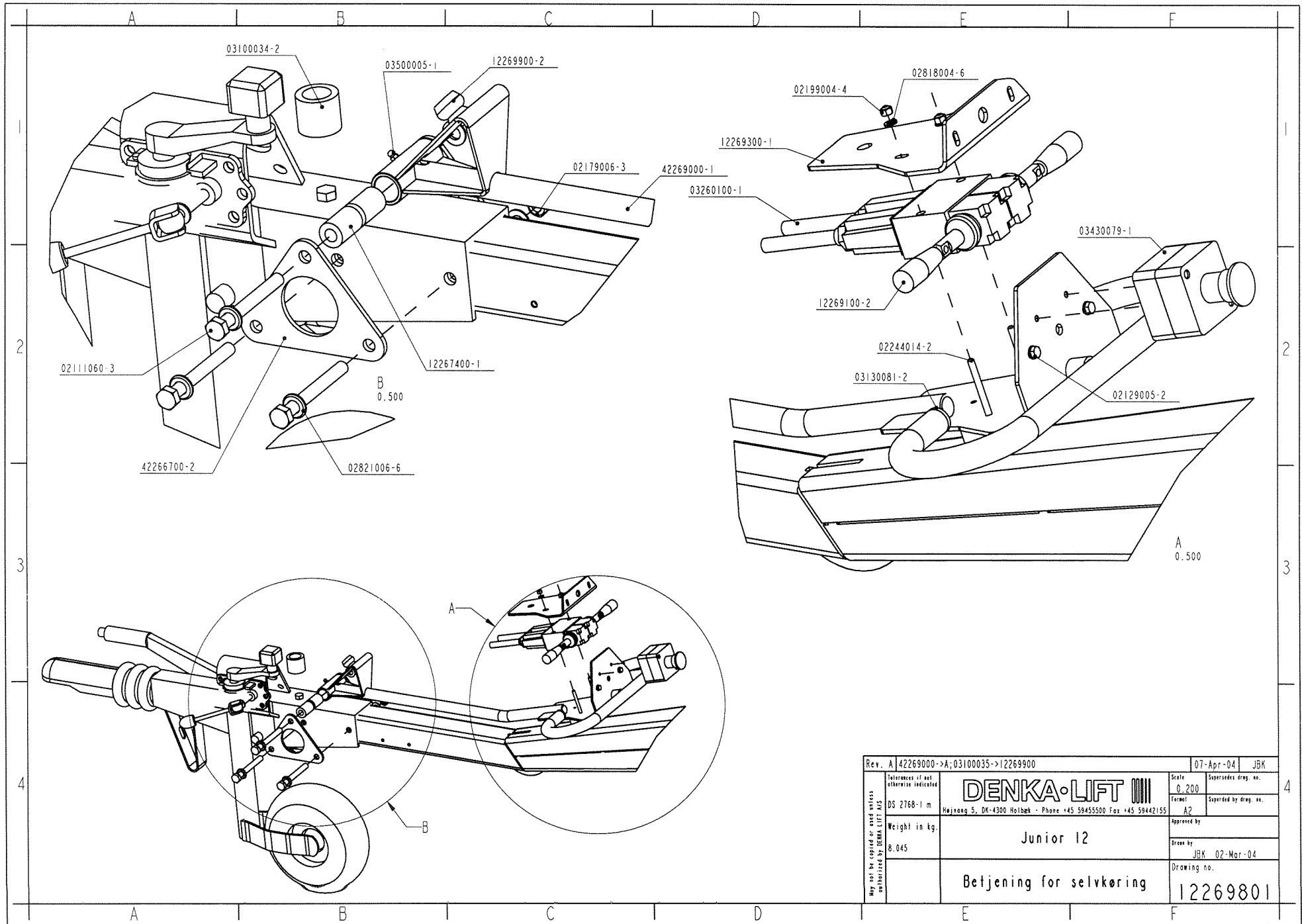
0.100



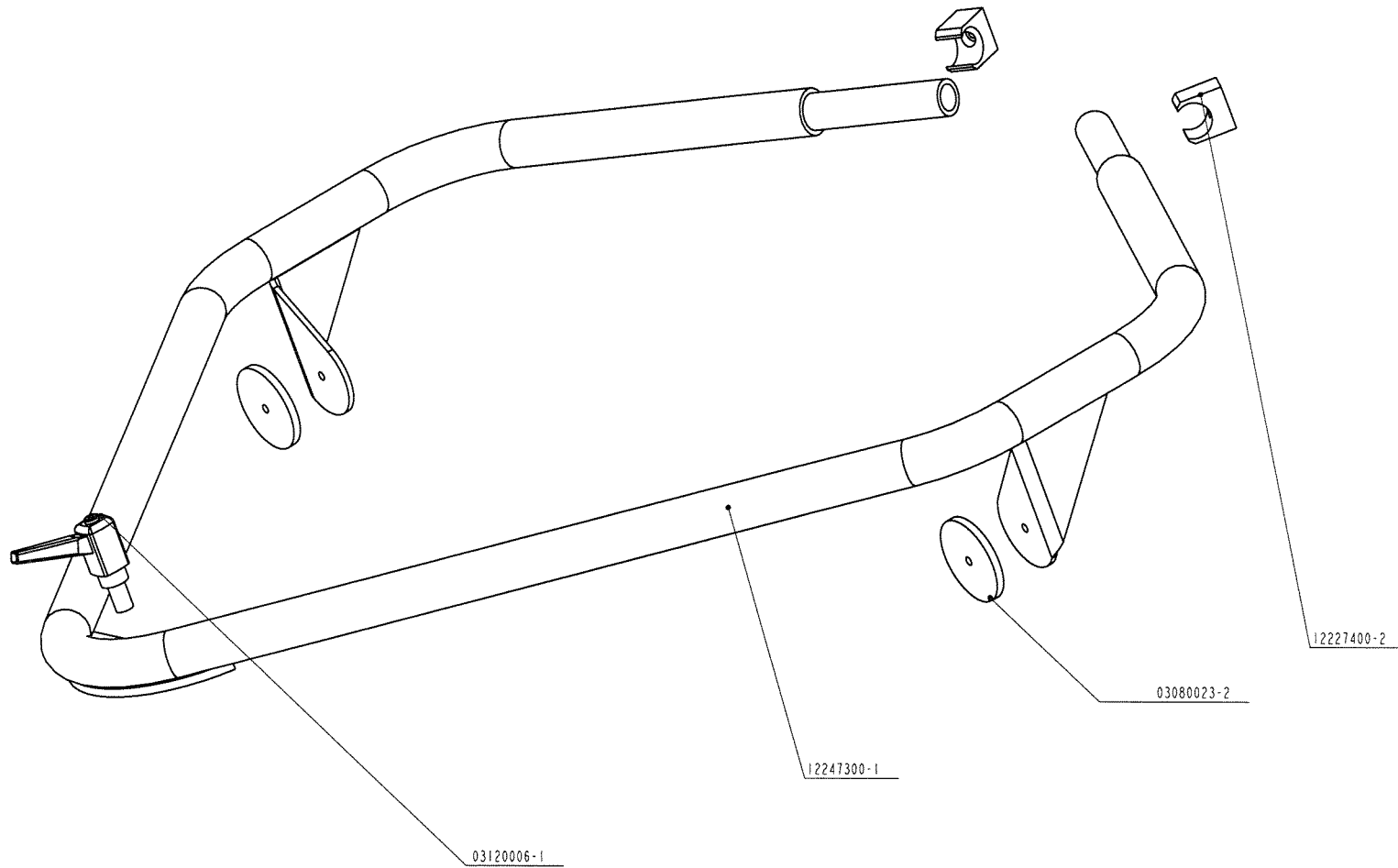
Rev. B	Beslag til bowdenkabel 42268600	15-Jan-04	JBK
Rev. A	Påsat cykelistafviser	20-Nov-01	JN
May not be copied or used without authorization by DENKA LIFT A/S	Tolerances if not otherwise indicated	<b>DENKA-LIFT</b>	Format 0,125
	Weight in kg. 7850,000	Højvang 5, DK-4300 Holbæk - Phone +45 59455500 Fax +45 59442155	Supersedes drawing no. Scale A2
	Sheet 1	Approved by DK8 JR12	Drawn by MFM 8-Aug-00
	Total sheets 1	Chassis delmonteret Chassis Chassis	Drawing no. 12346001



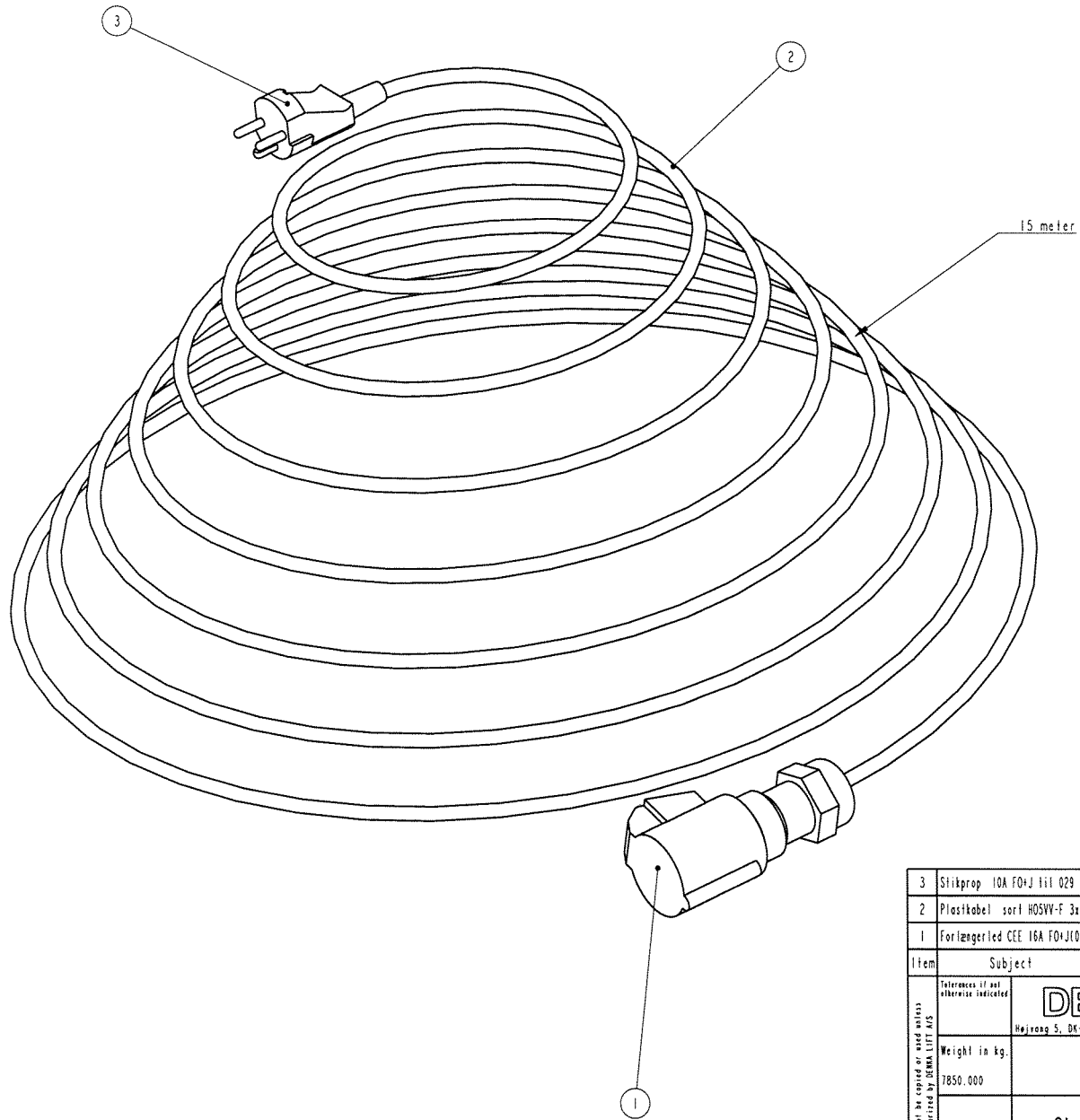
Not to be copied or used without authorization by DENKA LIFT A/S	Tolerances if not otherwise indicated DS 2768-1 m	<b>DENKA-LIFT</b>		Format 0,500	Supersedes drug. no.
	Weight in kg. 8,045	Højbjerg 5, DK-4300 Holbæk · Phone +45 59455500 Fax +45 59442155		Scale A2	Supersedes by drug. no.
	Sheet 1	Junior 12		Approved by	
	total sheets 1	Betjening for selvkøring		Drawn by PH 11-Mar-03	
		Control lever for selfdrive		Drawing no.	
	Bedienungshebel für Fahrantrieb		12267301		




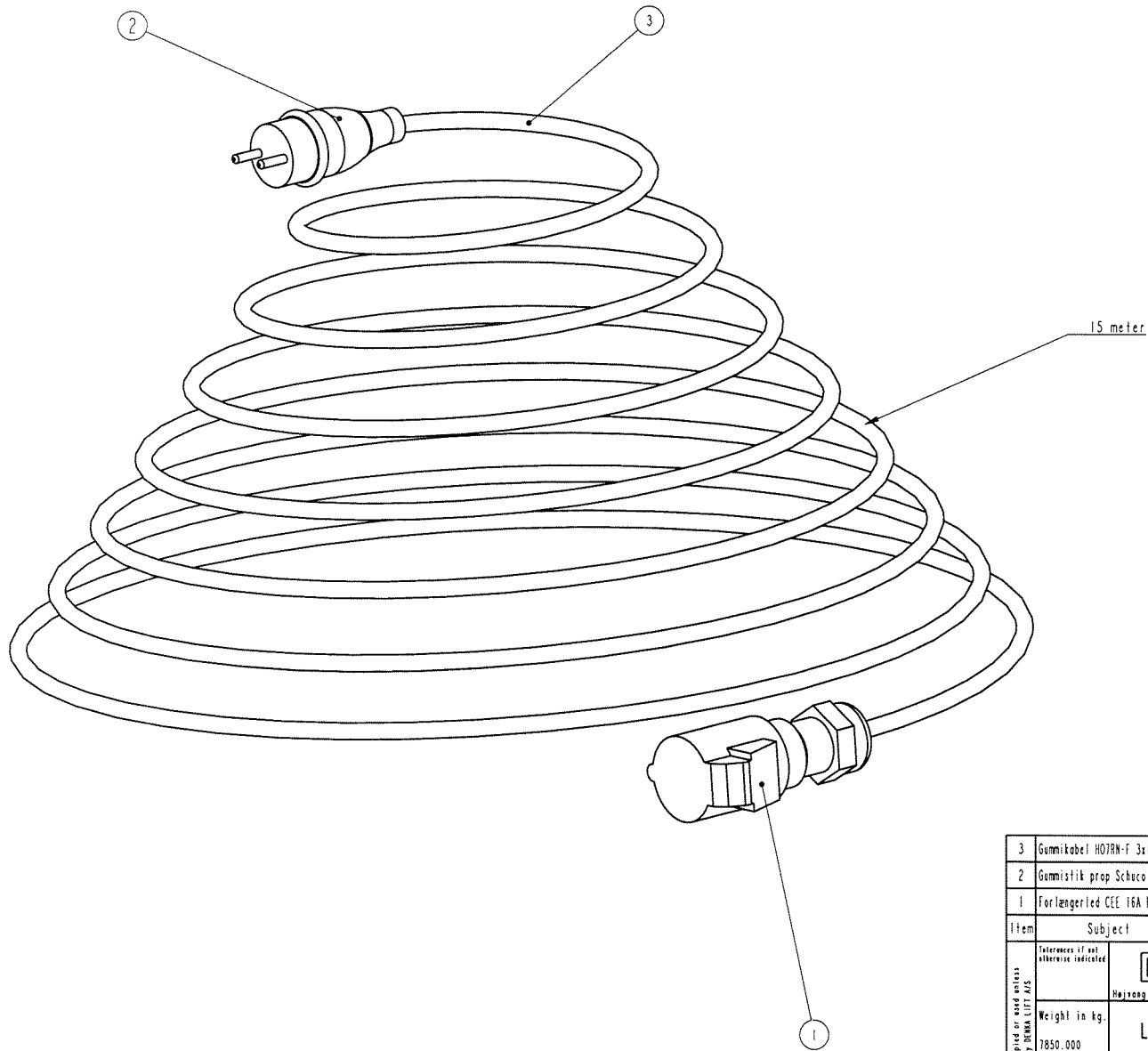
Rev. A	42269000->A;03100035->12269900	07-Apr-04	JBK
Tolerances if not otherwise indicated		Scale	Supersedes drag. no.
		0.200	
DS 2768-1 m	<b>DENKA-LIFT</b>	Format	Supersedes by drag. no.
	Højvang 5, DK-4300 Holbæk - Phone +45 59455500 Fax +45 59442155	A2	
Weight in kg.	Junior 12	Approved by	
8.045		Drawn by	
		JBK 02-Mar-04	
	Betjening for selvkøring	Drawing no.	
		12269801	



May not be copied or used without authorization by DENKA LIFT A/S	Tolerances if not otherwise indicated	<b>DENKA-LIFT</b>	Format 0_500	Supersedes drawing no.	
	DS 2768-1 m		Scale A2	Supersedes by drawing no.	
	Weight in kg.	Højvang S, DK-4300 Holbæk - Phone +45 59455500 Fax +45 59442155	Approved by DK 8	Drawn by JN 19-Nov-01	
	2,875	Cykelistafviser, samlet	Drawing no. 12247201		
	Sheet 1	Total sheets 1			

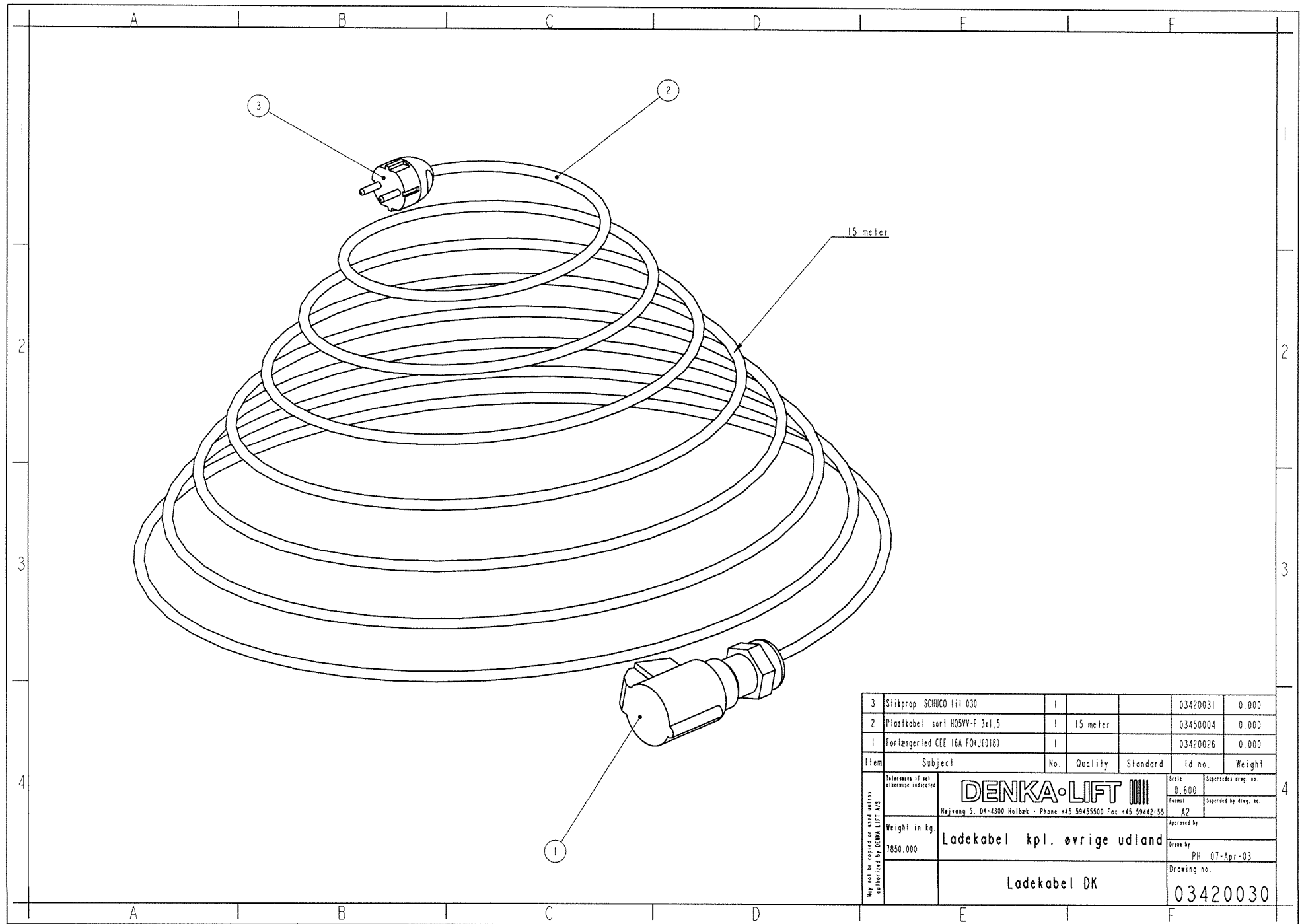


3	Stikprop 10A FO+J til 029	1			03420028	0.000
2	Plastkabel sort HOSVY-F 3x1,5	1	15 meter		03450004	0.000
1	Forlængerled CEE 16A FO+J(018)	1			03420026	0.000
Item	Subject	No.	Quality	Standard	Id no.	Weight
May not be copied or used without authorized by DENKA LIFT A/S	Tolerances if not otherwise indicated	<b>DENKA LIFT</b> 			Scale 0.600	Supersedes drawing no.
		Højvang 5, DK-4300 Holbæk - Phone +45 59455500 Fax +45 59442155			Format A2	Superseded by drawing no.
	Weight in kg.	<b>Ladekabel kpl. DK</b>			Approved by	
	7850.000	<b>Chargingcabel model DK</b>			Drawn by PH '07-Apr-03	Drawing no. <b>03420029</b>

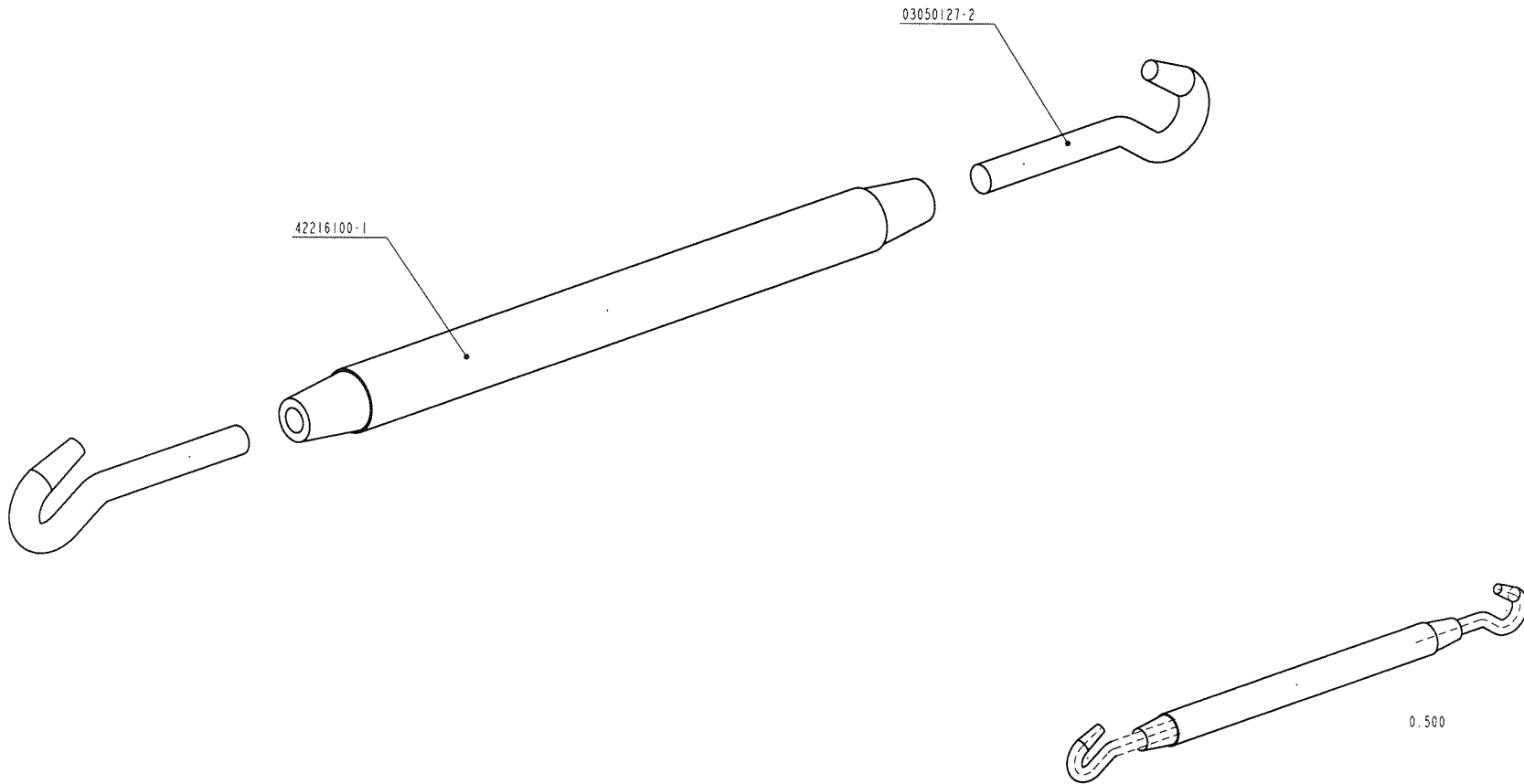


3	Gummikabel H07RN-F 3x1,5	1			03450006	0.000
2	Gummistrik prop Schuko	1			03420116	0.000
1	Forlængerled CEE 16A FO+J1018)	1			03420026	0.000
Item	Subject	No.	Quality	Standard	Id no.	Weight
<small>May not be copied or used without authorization by DENKA LIFT A/S</small>	<small>Interferences if not otherwise indicated</small>	<b>DENKA-LIFT</b>			<small>Scale</small> 0.600	<small>Supersedes drawing no.</small>
	<small>Weight in kg.</small> 7850.000	<small>Højvang S. DK-4300 Holbæk - Phone +45 59455500 Fax +45 59442155</small>			<small>Format</small> A2	<small>Superseded by drawing no.</small>
		<small>Approved by</small> Ladekabel kpl. Tyskland			<small>Drawn by</small> PH 07-Apr-03	
		Charging cabel Germany			<small>Drawing no.</small> 03420091	





3	Slukprop SCHUCO lit 030	1			03420031	0.000
2	Plastkabel sort HOSVV-F 3x1,5	1	15 meter		03450004	0.000
1	Forlængerled CEE 16A FO(JE018)	1			03420026	0.000
Item	Subject	No.	Quality	Standard	Id no.	Weight
May not be copied or used without authorization by DENKA LIFT A/S	Tolerances if not otherwise indicated	<b>DENKA-LIFT</b>  Højvang 5, DK-4300 Holbæk - Phone +45 59455500 Fax +45 59442155			Scale	Supersedes drawing no.
	Weight in kg				0.600	Supersedes by drawing no.
		Approved by			A2	
		Drawn by			PH 07-Apr-03	
		Ladekabel kpl. øvrige udland			Drawing no.	
		Ladekabel DK			03420030	

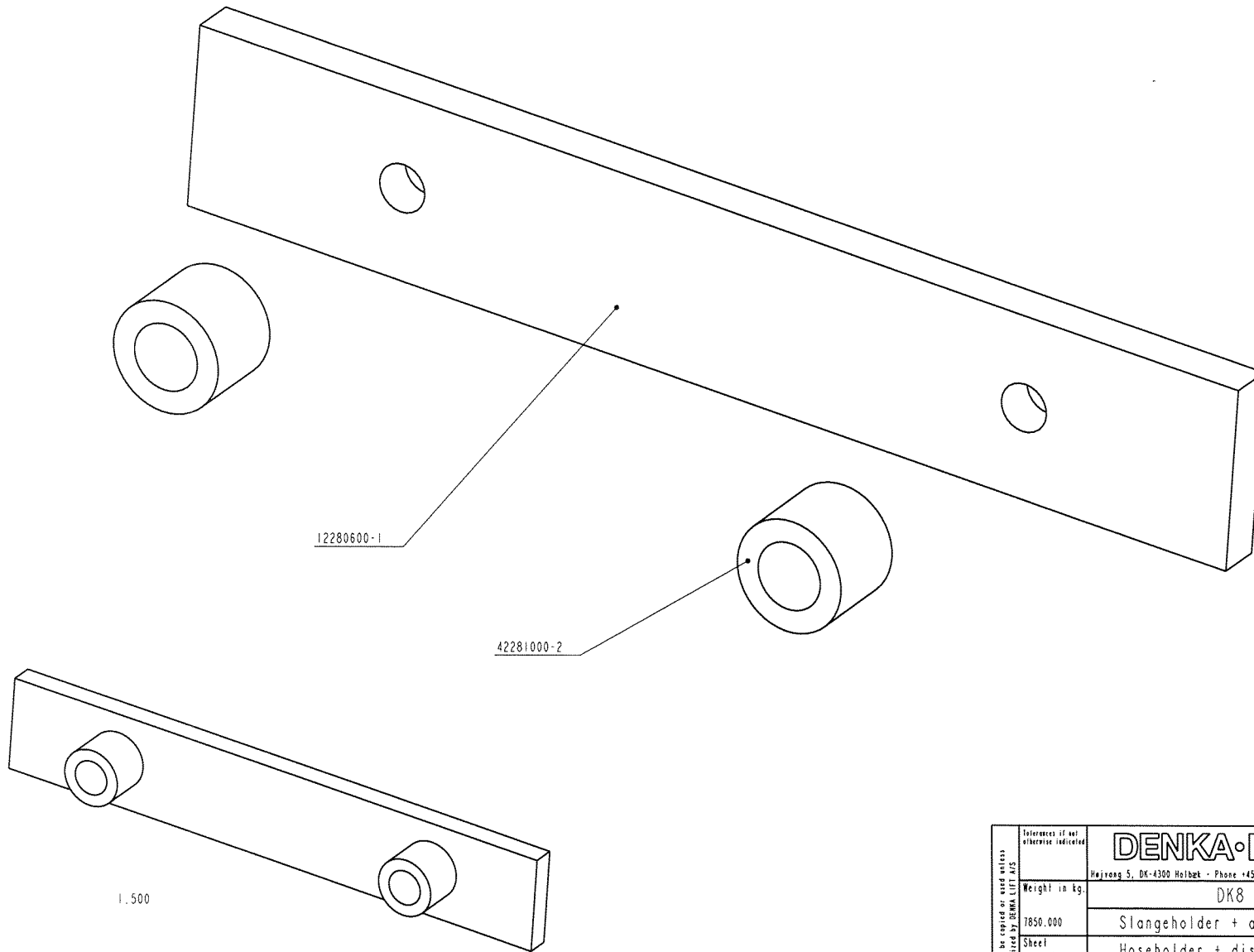


42216100-1

03050127-2

0.500

May not be copied or used without authorization by DENKA LIFT A/S	Tolerances if not otherwise indicated	<b>DENKA-LIFT</b>		Format 1.000	Supersedes drawing no.
	Weight in kg. 7850.000	Højvang S, DK-4300 Holbæk - Phone +45 59455500 Fax +45 59442155		Scale A2	Supersedes by drawing no.
	Sheet 1	DK8		Approved by	
	Total sheets 1	Vantskrue samlet Rigging screw mounted Wantschraube montiert		Drawn by HØ 03-Apr-00	
				Drawing no. <b>12342901</b>	

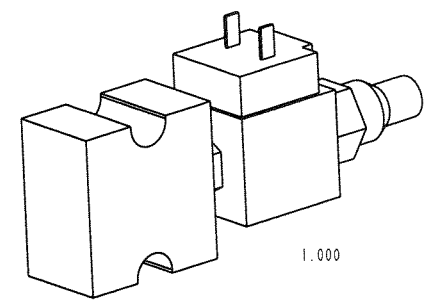
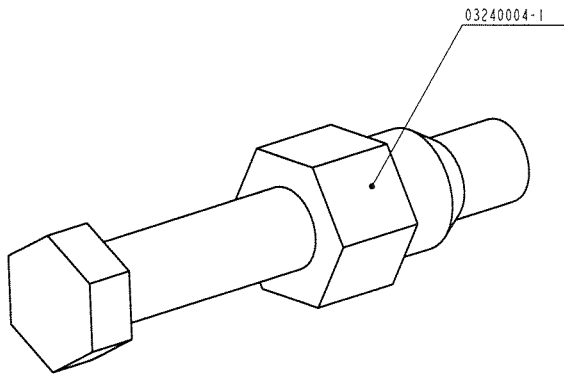
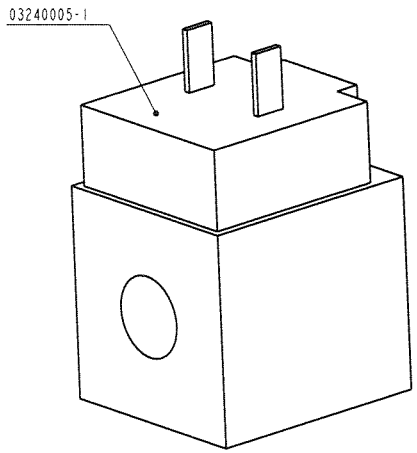
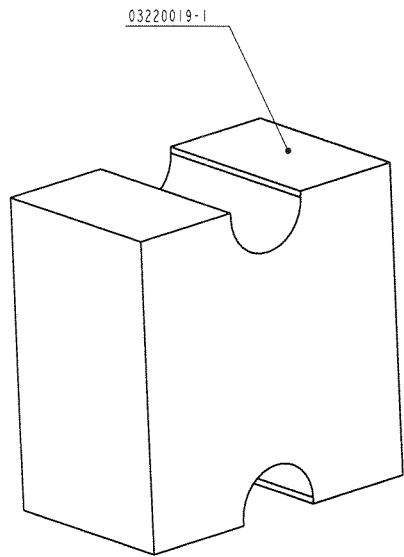


12280600-1

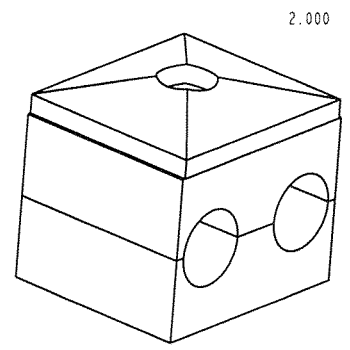
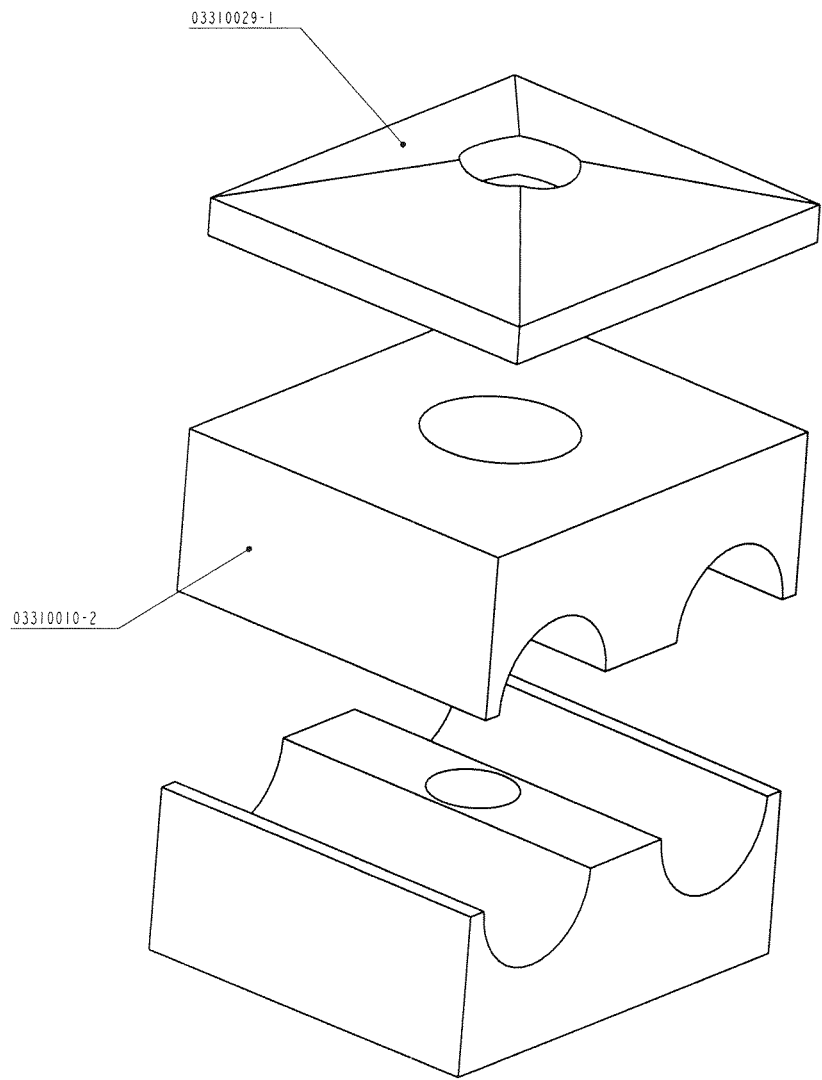
42281000-2


1:500

May not be copied or used without authorization by DENKA LIFT A/S	Tolerances if not otherwise indicated	<b>DENKA-LIFT</b>		Format 3.000	Supersedes drawing no.
	Weight in kg.	Højvang 5, DK-4300 Holbæk - Phone +45 59455500 Fax +45 59442155		Scale A2	Superseded by drawing no.
	7850.000	DK8		Approved by	
	Sheet 1	Slangeholder + afstandsrør		Drawn by HO 06-Apr-00	
	Total sheets 1	Hoseholder + distance tube		Drawing no.	
	Schlauchhalter + Abstandsrohr		12343001		



Højvægt nr. udfyldt på alle ark Rep. autoriseret af DENKA LIFT A/S	Tolerances if not otherwise indicated	<b>DENKA-LIFT</b>	Format	Supersedes drag. no.
			2.000	
		Højvægt 5, DK-4300 Højbæk - Phone +45 59455500 Fax +45 59442155	Scale	Supersedes by drag. no.
	Weight in kg.	DK8	A2	Approved by
	7850.000	Spole, magnetventil, ventilblok		Drawn by
Sheet	Spool, solenoid valve, valveb.		HØ 06-Apr-00	
Total sheets	Spule, Magnetventil, Ventilblok		Drawing no.	
			12341401	



Not to be copied or used without authorization by DENKA LIFT A/S	Tolerances if not otherwise indicated	<b>DENKA-LIFT</b> 	Format	A 000	Supersedes drag. no.
			Scale	A2	Superseded by drag. no.
	Weight in kg.	DK8	Approved by		
	7850.000	Rørholder + dækplade	Drawn by		
	Sheet	Tube holder + cover plate	HO 29-Mar-00		
Total sheets	Rohrhalter + Deckplatte	Drawing no.			
		12340801			